

Control box connections

The ALPHA1 L control box has two electrical connections on one side: the power supply and signal connection.

Power supply connection

The installer plug is supplied with the pump and is available as an accessory.

Power cable adapters are also available as accessories.

Control signal connection

The control signal cable connection has three leads: signal input, signal output and signal reference. Connect the cable to the control box by a mini superseal plug, which can be supplied with the pump as an accessory. The cable length must not exceed 3 metres.


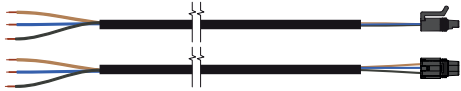
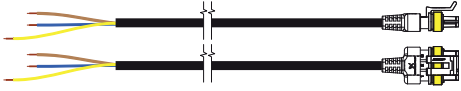




TM064414

Mini superseal plug

Conductor	Colour
Signal input	Brown
Signal reference	Blue
Signal output	Black

Cables and plugs

Product	Product description	Length [mm]	Product number
	Installer plug		99439948
	Mini superseal signal cable (PWM input signal)	2000	99165309
	Superseal power cable	2000	99198990
	Power cable adapter: Superseal Molex cable adapter, overmoulded	150	99165311
	Power cable adapter: Superseal Volex cable adapter, overmoulded	150	99165312