

# MANIFOLD SERIES GMA300

### OPERATION

The ESBE series GMA300 manifolds are dedicated for ESBE circulation units series GxA300. The manifolds have standard outlet dimension of 90mm and are equipped with insulation shell according to EnEV2014. The manifolds are delivered with wall brackets.

### SERVICE AND MAINTENANCE

The manifold does not require any specific maintenance under normal conditions.



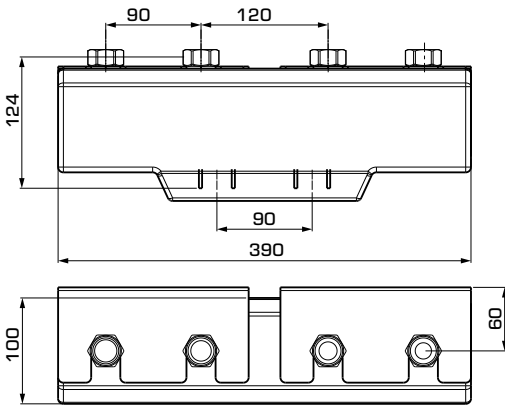
ESBE Series GMA321  
Manifold for 2 units, without integrated hydraulic separator function.



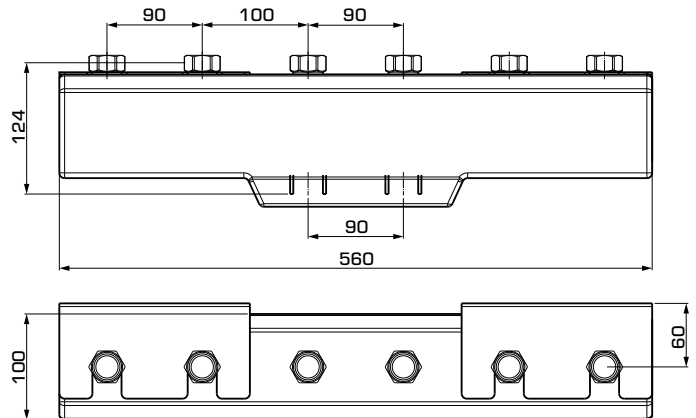
ESBE Series GMA331  
Manifold for 3 units, without integrated hydraulic separator function.



### PRODUCT ASSORTMENT



GMA321



GMA331

### ESBE Manifold Series GMA300

Art. No.	Reference	No. of circulation units	Connections		With hydraulic separator	Weight [kg]	Note
			To system	From Heat source			
66000500	GMA321	2	RN 1"	G 1"	No	3,1	
66000600	GMA331	3					

\* RN = Rotating nut

# MANIFOLD SERIES GMA300

## TECHNICAL DATA



Visit [esbe.eu](http://esbe.eu) for further detailed information.



### Technical data:

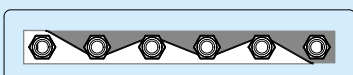
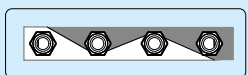
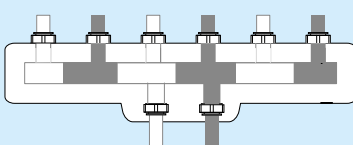
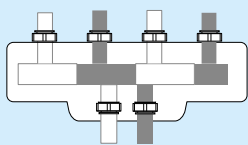
Pressure class: \_\_\_\_\_ PN 4  
 Media temperature: \_\_\_\_\_ max. +110°C  
 \_\_\_\_\_ min. 0°C  
 Working pressure: \_\_\_\_\_ 0.4 MPa (4 bar)  
 Standard outlet spacing: \_\_\_\_\_ 90 mm

Flow rate: \_\_\_\_\_ 3.0 m<sup>3</sup>/h  
 Output: \_\_\_\_\_ 70 kW at  $\Delta t$  20K

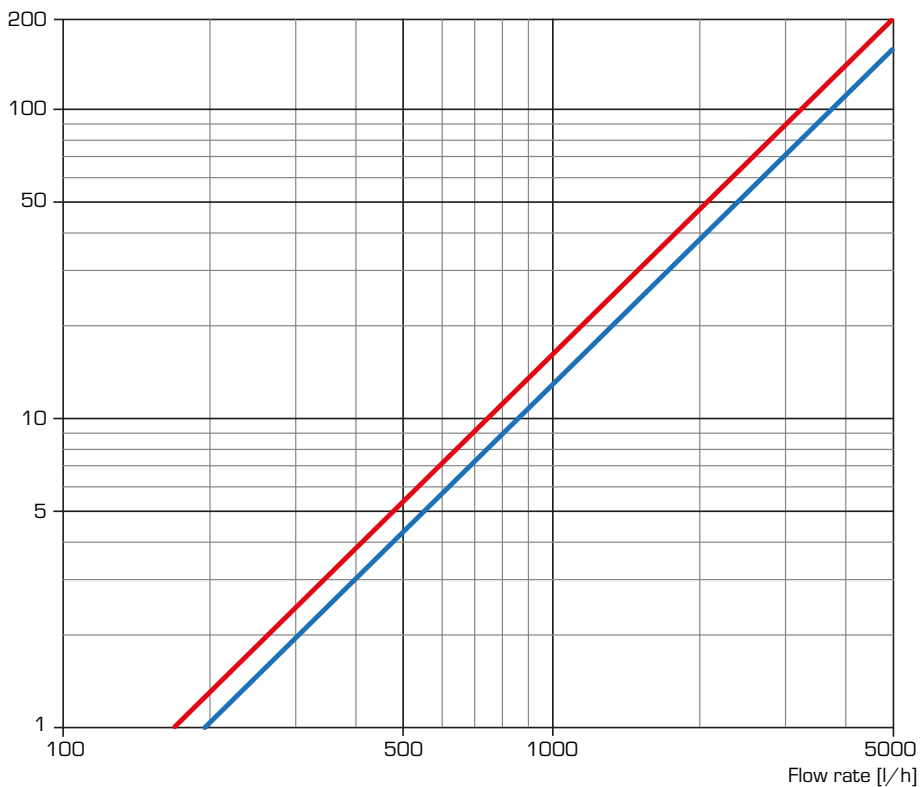
### Material, in contact with water:

Components of: \_\_\_\_\_ Black coated steel S235  
 Insulation: \_\_\_\_\_ EPP  $\lambda$  0.036 W/mK

Return  Supply 



Pressure loss  
[mbar]



— Series GMA331  
 — Series GMA321