

LCD
indicator
option

IP65

4-20 mA
0-10 V

RS485
Modbus

Combustible Gases Detector-Transmitter E2638-LEL



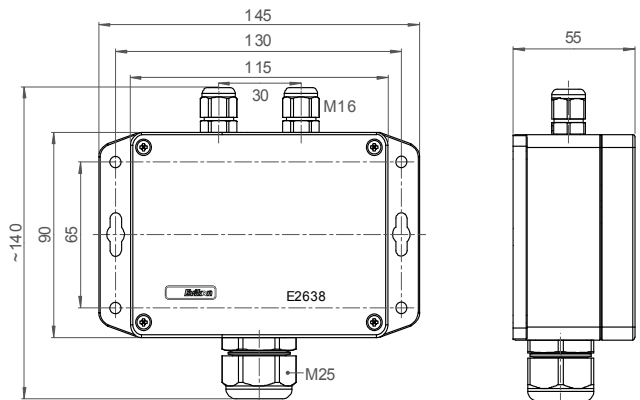
Features

- Accurate and stable measurement
- Easy to install robust enclosure
- Remote probe option
- Two analog outputs settable to 4-20 mA or 0-10 V
- RS485 Modbus RTU digital interface
- Relay option
- LCD indicator option

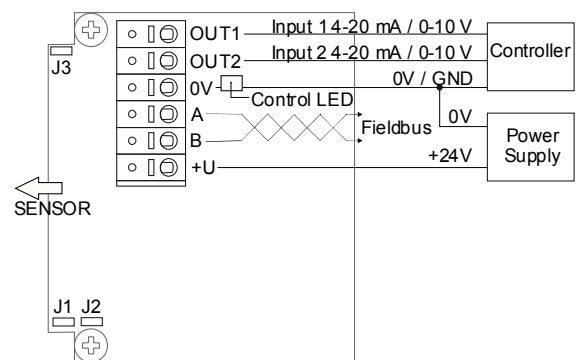
Specifications

Detected gases	Acetylene, Butane, Hydrogen, Methane, Propane	
Default calibration	Methane CH ₄	
Sensor type	Metal-oxide semiconductor Option: catalytic bead (pellistor)	
Sampling method	Diffusion	
Typical detection range	MOS sensor	catalytic sensor
	0...100% LEL	0...100% LEL
Resolution	0,1 %LEL	1 %LEL
Response time T90	~60 seconds	8 seconds
Sensor lifetime	> 5 years	> 2 years
Maintenance interval	12 months	3...6 months
Operating conditions	-30...+70 °C -20 to +60°C <95 %RH, pressure 1 atm ±10%; Non ATEX rated spaces Normal ambient oxygen level Avoid strong mechanical shock, vibrations or EMI Avoid exposure to corrosive gases or silicone containing products	
Signal update	Every 1 second	
Self-diagnostics	Full functionality check at start-up	
Warm-up time	≤ 1 min	
Power supply	11...30 VDC, 24 VAC or 90...265 VAC	
Power consumption	< 2 VA	
Digital interface	RS485, Modbus RTU protocol	
Analog outputs	2 × 4-20 mA / 0-10 V, user settable	
Output scale width	Recommended: 20-100% of the range; > 10 × resolution in any case	
Enclosure	Grey ABS plastic, protection class IP65	
Dimensions	H90 × W145 × D50 mm (housing only) H140 with cable glands	
Operating environment	Industrial indoor and outdoor areas	

Dimensions



Connection diagram



J1: OUT1 type (open: 4-20 mA; dosed: 0-10 V)
J2: OUT2 type (open: 4-20 mA; dosed: 0-10 V)
J3: return to factory settings



Additional options

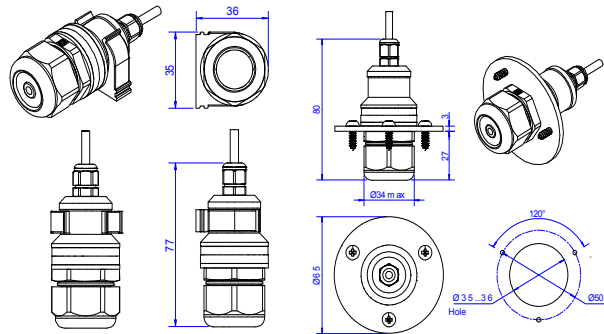
Remote sensor probe	Protection IP65, shielded cable default cable length 3.0 m
Relay outputs	
Output relays	2 × SPST relays (closing contact), 250 VAC / 30 VDC, 5 A max
Default alarm set-points (set /release)	RE1 (LOW): 20% LEL;/ 16% LEL RE2 (HIGH): 50% LEL / 40% LEL
Visual alarm	Red and green LEDs (option)
Acoustic alarm	Buzzer 85 dB (option)

LCD indicator

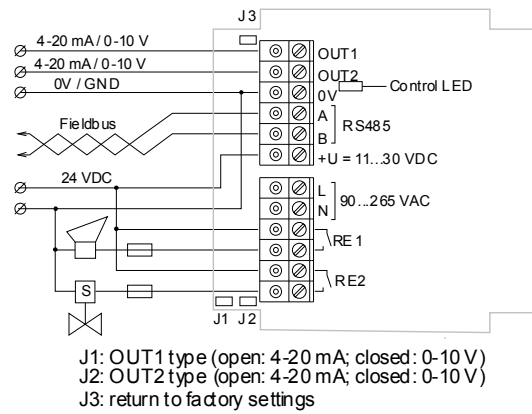
Operating temperature	0...+50 °C,
Display dimensions	72 × 36 mm
Number of digits	3.5 7-segment
Character height	14 mm
Other features	Backlight
Note: only one analog output is available for a version with LCD	

[Ask for other versions or custom designed products](#)

Remote probe



Connection diagram for relay version



LCD indicator option

