

# Ozone Detector-Transmitter E2608-O3



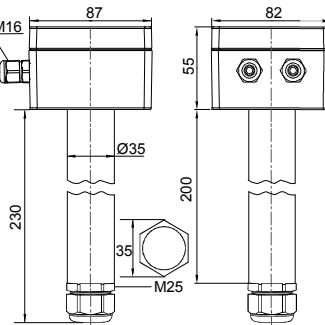
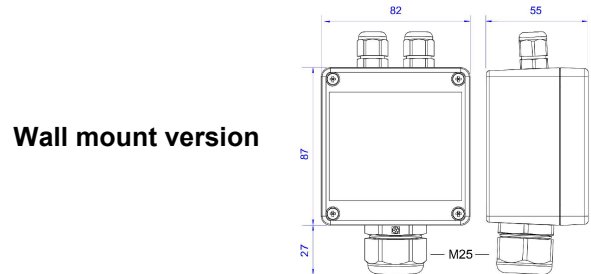
## Features

- Wall-mount or duct-mount version
- Industrial IP65 housing
- Two relays for alarm / ventilation control
- Two analog outputs settable to 4-20 mA or 0-10 V
- RS485 Modbus RTU digital interface
- Attached or remote sensor

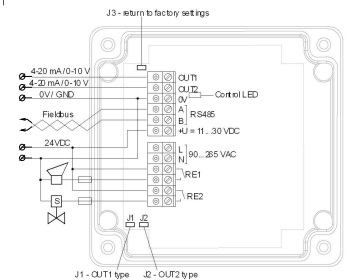
## Specifications

Detected gas	Ozone O <sub>3</sub>
Calibration	Ozone
Sensing method	electrochemical
Sampling method	diffusion
Detection range	0...5 ppm O <sub>3</sub> (peak 50 ppm)
Digital unit	0.01 ppm O <sub>3</sub>
Repeatability	< 2 % of signal
Signal update	every 1 second
Response time	<60 seconds
Maintenance interval	6 months
Sensor lifetime	2 years
Self-diagnostics	full functionality check at start-up
Warm-up time	≤ 1 min
Power supply	11...30 VDC, 24 VAC or 90...265 VAC
Power consumption	< 2 VA
Digital interface	RS485, Modbus RTU protocol
Analog outputs	2 × 4-20 mA / 0-10 V, user settable
Output scale width	recommended: 20-100% of the range; > 10 × resolution in any case
Output relays	2 × SPST relays (closing contact), 250 VAC / 30 VDC, 5 A max
Default alarm set-points	RE1 (LOW): set 0.3, release 0.24 ppm RE2 (HIGH): set 1ppm, release 0.8 ppm
Enclosure	light grey ABS plastic, wall mount, protection class IP65
Dimensions	H85 × W82 × D55 mm
Remote sensor probe	protection IP65, shielded cable default cable length 3.0 m
Operating environment	industrial indoor and outdoor locations
Operating conditions	0...50 °C, 15...90 %RH; pressure 0,9...1,1 atm; non ATEXrated areas; non-aggressive atmosphere

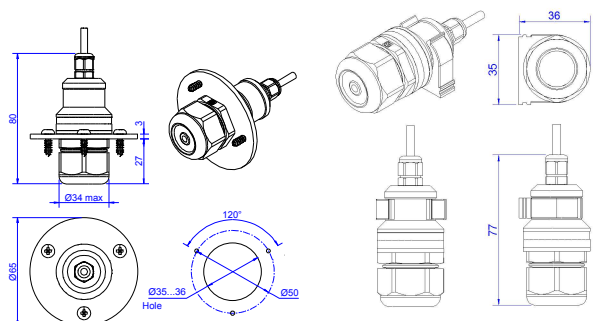
**NOTE** The sensor may exhibit considerable sensitivity to chlorine and nitrogen dioxide



## Connection diagram



## Remote probe



Ask for other versions or custom designed products

