

# Carbon Dioxide Detector-Transmitter

## E2608-CO2-10K



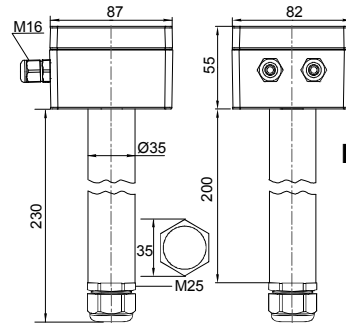
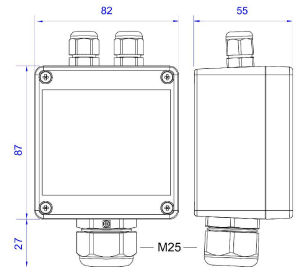
### Features

- High selectivity
- Industrial housing, attached or remote sensor
- Two relays for alarm / ventilation control
- Two analog outputs settable to 4-20 mA or 0-10 V
- RS485 Modbus RTU digital interface
- Ambient pressure compensation option

### Specifications

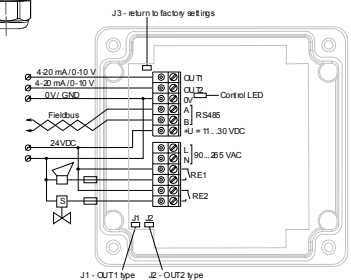
Detected gas	carbon dioxide CO <sub>2</sub>
Sensor type	optical (NDIR)
Sampling method	diffusion
Detection range	0...10 000 ppm
Resolution / digital unit	1 ppm
Accuracy	± (50 ppm + 3% of reading) in the range 300...5000 ppm
Signal update	every 2 seconds
Response time T90	~ 2 minutes
Maintenance interval	up to 5 years
Sensor lifetime	ca. 10 years
Self-diagnostics	full functionality check at start-up
Warm-up time	≤ 1 min
Power supply	11...30 VDC, 24 VAC or 90...265 VAC
Power consumption	< 2 VA
Digital interface	RS485, Modbus RTU protocol
Analog outputs	2 × 4-20 mA / 0-10 V, user settable
Output scale width	recommended: 20-100% of the range; > 10 × resolution in any case
Output relays	2 × SPST relays (closing contact), 250 VAC / 30 VDC, 5 A max
Alarm set-points	defined by user within 5-95% of the detection range
Enclosure	light grey ABS plastic, wall mount, protection class IP65
Dimensions	H85 × W82 × D55 mm
Remote sensor probe	protection IP65, shielded cable default cable length 3.0 m
Operating environment	industrial indoor and outdoor locations
Operating conditions	0...+50 °C, 0...85 %RH pressure 0,9...1,1 atm non ATEX areas
Pressure compensation (option)	0,5...2 bar absolute pressure

Wall mount version

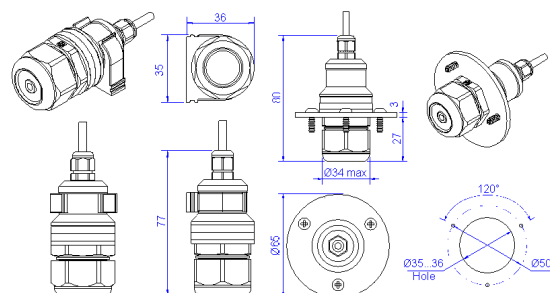


Duct mount version

Connection diagram



Remote probe



Ask for other versions or custom designed products

