

**PRESSURE GAUGE WITH CAPSULE ELEMENT
ACC. TO DIN EN 837-3
CASE BAYONET STAINLESS STEEL**



DRUCK & TEMPERATUR

**Nominal size 63, 100, 160
Connection position bottom or centric back
Connection material brass**



For measuring small positive and / or negative overpressures in gaseous, dry and non-aggressive media. These capsule pressure gauges are characterized by high reliability and long-term stability. The zero point is corrected via the dial.

Type	5531	5541	5631	5641	5651	5661	Options
Nominal size	63		100		160		NS 80
Symbol							Glycerine filling NS 63 from 160 mbar NS 100 from 100 mbar
Accuracy	Class 1,6 according to DIN EN 837-3						
Measuring ranges	0/2,5 ...0/600 mbar negative and / or positive overpressure						
Applications	Constant load: full scale value Alternating load: 0,9 x full scale value Overload: 1,3 x full scale value, short-time						Overload safety up to 160 mbar 10-fold from 250 mbar 5-fold
Case	Stainless steel						Steel black
Bayonet ring	Stainless steel						Steel black
Measurement	CuBe- alloy						
Connection material	CuZn-alloy						
Thread	G 1/4 B (M12x1,5)		G 1/2 B (M20x1,5)				Others on request
Connection position	radial bottom	centric back	radial bottom	centric back	radial bottom	centric back	
Window	Instrumental glass						
Movement	CuZn-alloy with zero point adjustment						
Dial	Aluminium white, scale and lettering black						Special scale
Pointer	Aluminium black						
Temperatures	Medium: -20°C up to Tmax. 80°C, ambient: -25°C; Tmax 60°C						
Orifice							Ø 0,3, Ø 0,4; Ø 0,8
Mounting optional	Back flange, front flange, bracket mounting						
approx. Weight (kg)	0,220	0,220	0,490	0,490	1,20	1,20	

Type 5531, 5541, 5631, 5641, 5651, 5661

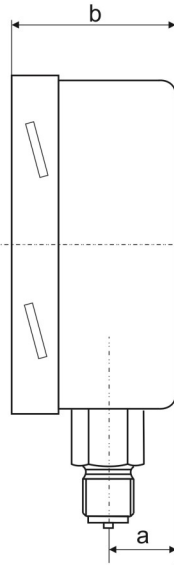
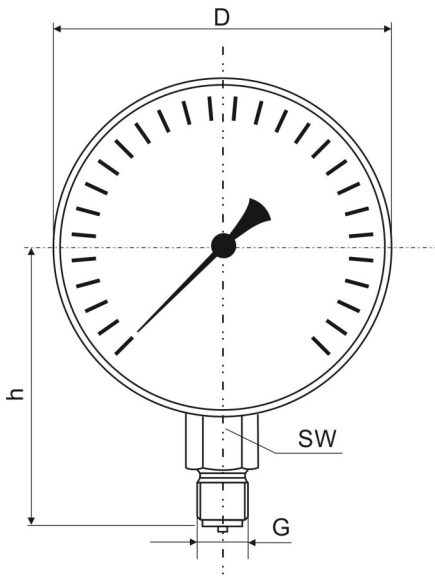
Dimensional drawings

Dimensions in mm

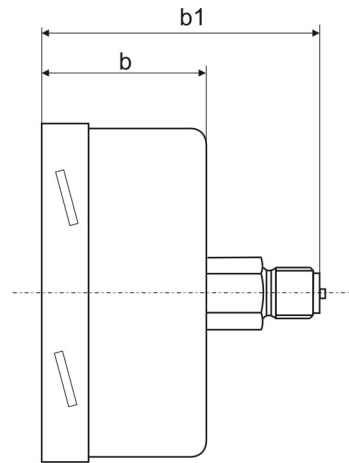


DRUCK & TEMPERATUR

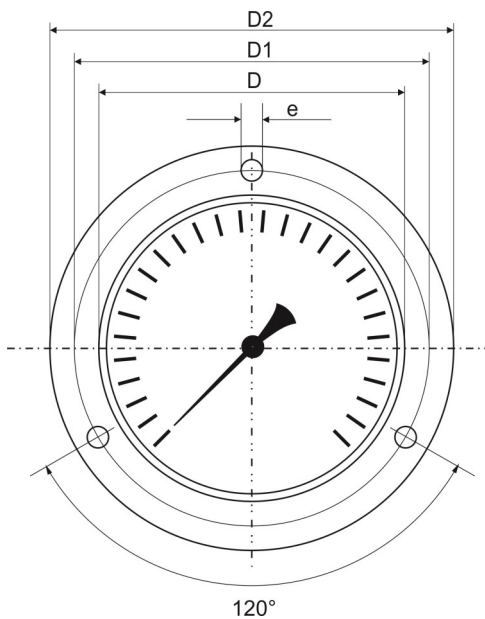
Connection bottom type 5531, 5631, 5651



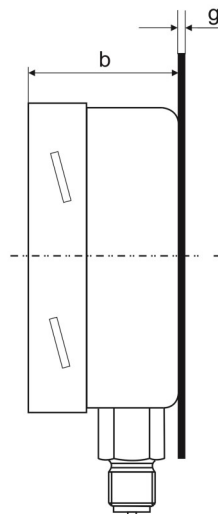
Connection back type 5541, 5641, 5661



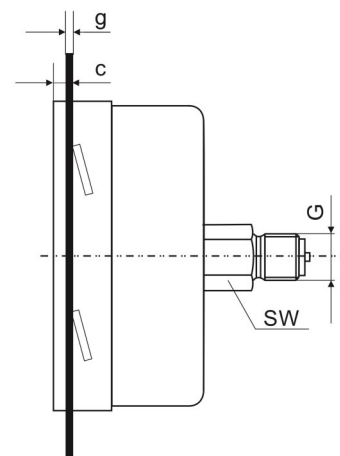
Hole pattern for panel mounting



Back flange



Front flange



Type	NS	D	G	a	b	b1	h	SW	D1	D2	c	g	e
5531	63	62 (68,5)	G 1/4 B	10	39 (40)		53	14	75	8	24	3	3,7
5541	63	62 (68,5)	G 1/4 B		39 (40)	60 (66)		14	75	85	24	3	3,7
5631	100	101	G 1/2 B	15	49		86	22	116	132	6	2	5
5641	100	101	G 1/2 B		49	85		22	116	132	6	2	5
5651	160	160	G 1/2 B	21	50 (51)		116	22	178	196	8	3	5,6
5661	160	160	G 1/2 B		50 (51)	86		22	178	196	8	3	5,6

SUKU Druck- und Temperaturmesstechnik GmbH

Garnsdorfer Hauptstraße 109 • 09244 Lichtenau / Sachsen - GERMANY
Tel.: +49 37208 / 2717 • Fax: +49 37208 / 61713 • contact@suku.de • www.suku.de