

## TORK KV 904 - NEREZOVÝ TŘÍCESTNÝ KULOVÝ VENTIL PRO AUTOMATIZACI

### Vlastnosti

Závity dle B2.1 BS21 1973 DIN 259/2999 NPT

Těleso CF8M & CF3M (DIN 1.4403) stainless steel

Připojení automatizace dle ISO5211

**Aplikace** : Tekutiny, voda, plyn, vzduch, pára, ...

**Materiál těla** : AISI 316 SS

**Připojení** : Závít

**Tlak** : PN 63

**Teplota** : -40 ... 180°C

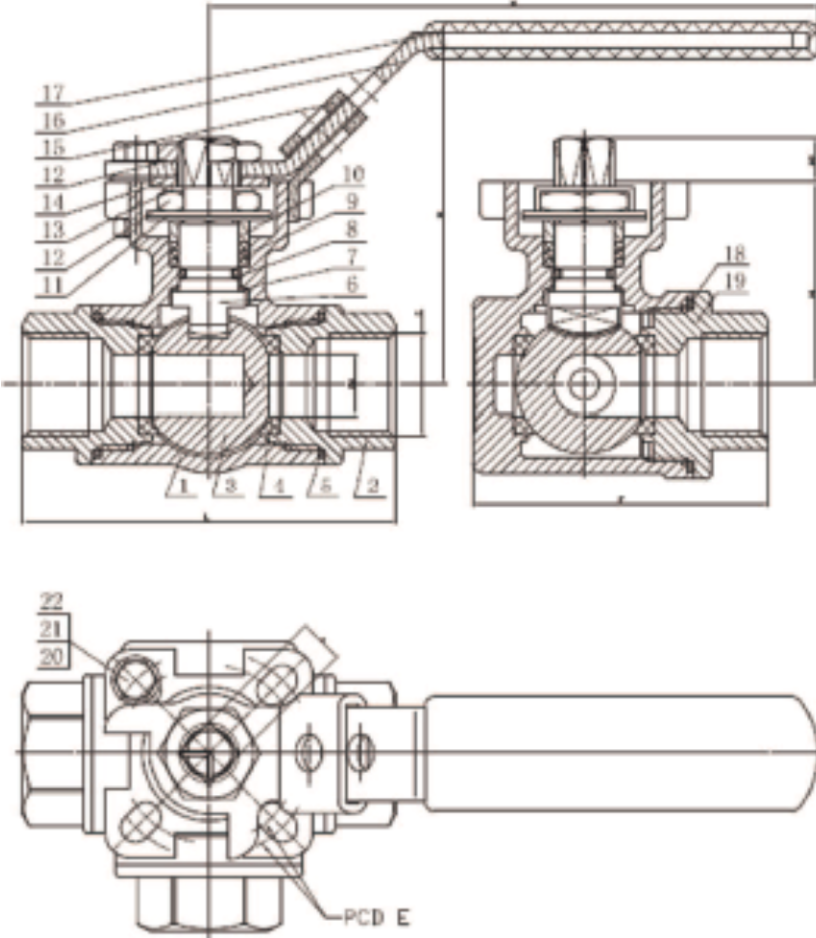
**Velikos** : 1/2" ... 4"

**Šedlo** : PTFE



### TECHNICKÉ SPECIFIKACE

Velikost	Číslo produktu		Tlak	Teplota	ISO příruba
1/2"	TORK-KV 904.15	2/2	0-63 bar	-40..180 C	F03
3/4"	TORK-KV 904.20	2/2	0-63 bar	-40..180 C	F03
1"	TORK-KV 904.25	2/2	0-63 bar	-40..180 C	F03 /F04
1 1/4"	TORK-KV 904.32	2/2	0-63 bar	-40..180 C	F04 /F05
1 1/2"	TORK-KV 904.40	2/2	0-63 bar	-40..180 C	F04 /F05
2"	TORK-KV 904.50	2/2	0-63 bar	-40..180 C	F05



NO.	PART NAME	MATERIAL
1	BODY	CF8M
2	CAP-B	CF8M
3	SEAT	PTFE
4	BALL	CF8M
5	GASKET-B	PTFE
6	STEM	SUS316
7	THRUST WASHER	15%R+PTFE
8	O-RING	VITON
9	STEM PACKING	PTFE
10	GLAND	SUS304
11	SPRING WASHER	SUS304
12	STEM UNT	SUS304
13	STOP WASHER	SUS304
14	HANDLE WASHER	SUS304
15	LOCKING DEVICE	SUS304
16	HANDLE	SUS304
17	PLASTIC COVER	PLASTIC
18	GASKET-A	PTFE
19	CAP-A	CF8M
20	STOP PIN	SUS304
21	BOLT	SUS304
22	NUT	SUS304

PORT TYPE	1	2	3	4
L	1 $\frac{1}{2}$ <sub>3</sub> 2	1 $\frac{1}{2}$ <sub>3</sub> 2	1 $\frac{1}{2}$ <sub>3</sub> 2	1 $\frac{1}{2}$ <sub>3</sub> 2
T	1 $\frac{1}{2}$ <sub>3</sub> 2	1 $\frac{1}{2}$ <sub>3</sub> 2	1 $\frac{1}{2}$ <sub>3</sub> 2	1 $\frac{1}{2}$ <sub>3</sub> 2

DIMENSION SIZE (INCH)	(MM)	d	G	L	F	H	W	ISO5211 E	H1	H2	A
1/4"	11.6	1/4"PT,NPT,PF	76.0	58.5	73.0	123.3	F03/F04 (□36/□42)	41.0	9	9	
3/8"	12.5	3/8"PT,NPT,PF	76.0	58.5	73.0	123.3	F03/F04 (□36/□42)	41.0	9	9	
1/2"	12.5	1/2"PT,NPT,PF	76.0	58.5	73.0	123.3	F03/F04 (□36/□42)	41.0	9	9	
3/4"	16.0	3/4"PT,NPT,PF	86.0	72.1	74.3	123.3	F03/F04 (□36/□42)	44.3	9	9	
1"	20.0	1"PT,NPT,PF	99.1	81.8	87.0	152.0	F04/F05 (□42/□50)	53.5	11	11	
1-1/4"	25.0	1-1/4"PT,NPT,PF	117.4	94.7	92.7	152.0	F04/F05 (□42/□50)	59.2	11	11	
1-1/2"	32.0	1-1/2"PT,NPT,PF	123.8	103.9	110.4	182.0	F05/F07 (□50/□70)	75.9	15	14	
2"	38.0	2"PT,NPT,PF	148.0	125.5	118.6	182.0	F05/F07 (□50/□70)	84.1	15	14	