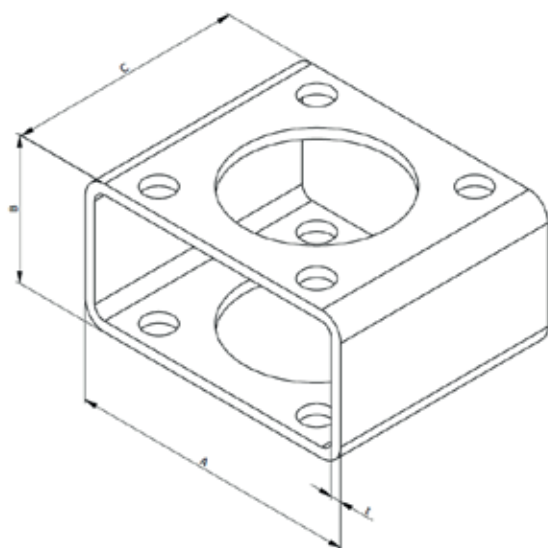


VALVE INTERCONNECTION BRACKET

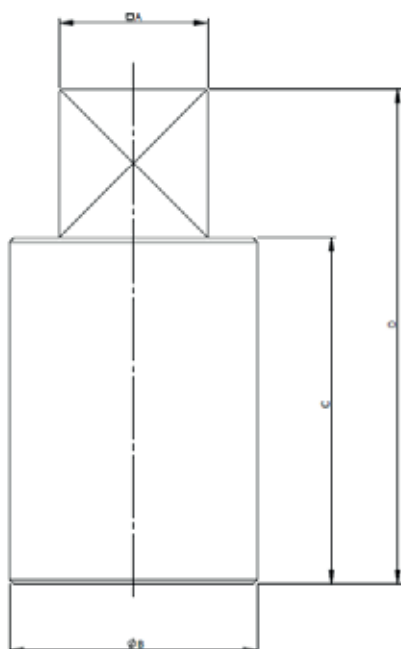
- Valve actuator mounting bracket
- Connection flanged holes F03-F16
- Material DKP stainless steel on request



COUPLING/ BRACKET	ACTUATOR	FLANGE CONNECTION	A	B	C	t
SMALL SIZED	32-40-60	F03F04 - F03F04	60	40	40	3
	40-60-80	F04F05 - F04F05	60	40	50	3
INTERMEDIATE SIZED	40-60-80-100-120	F05 - F07	80	40	65	3
	60-80-100-120	F07 - F07	80	40	65	3
	60-80-100-120	F07 - F010	120	60	100	4
LARGE SIZED	100-120-143-160	F010 - F010	120	60	100	4
	100-120-143-160	F010 - F012	140	80	115	4
	-	F012 - F012	140	80	115	4
INTERMEDIATE SIZED HIGH	40-60-80-100-120	F05 - F07 HIGH	80	60	65	3
	60-80-100-120	F07 - F07 HIGH	80	60	65	3
LARGE SIZED - HIGH	100-120-143-160	F10 - F10 HIGH	150	100	115	8
	100-120-143-160	F10 - F12 HIGH	150	100	115	8
	-	F12 - F12 HIGH	150	100	115	8

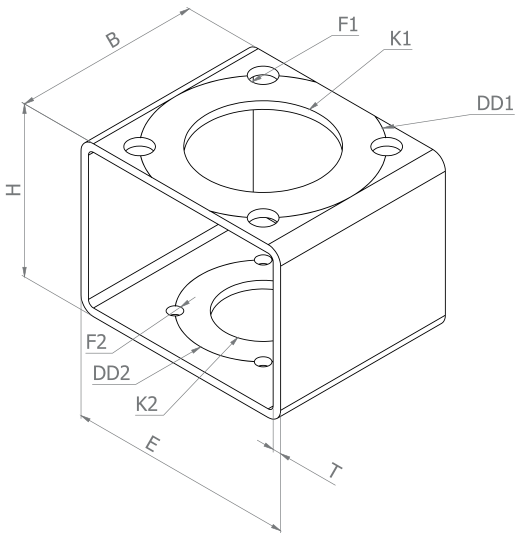
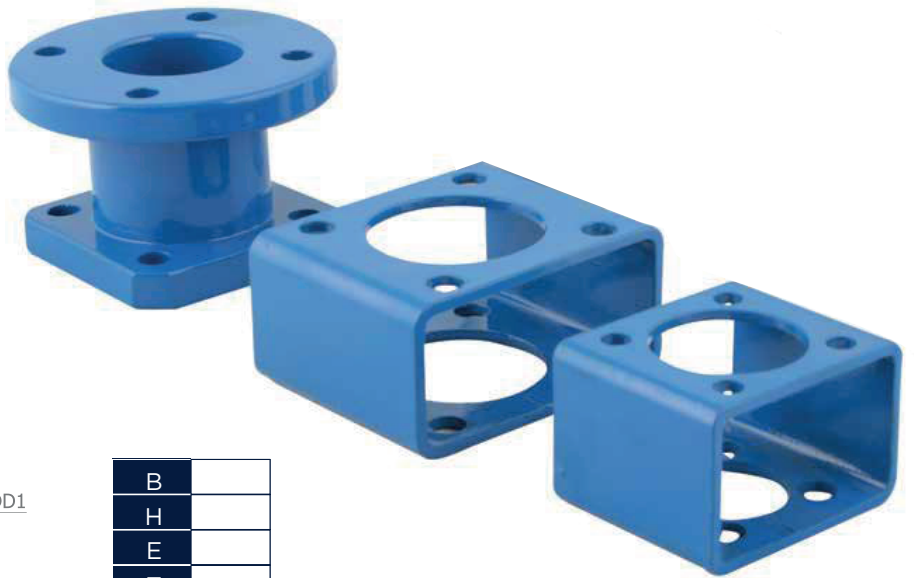
VALVE INTERCONNECTION COUPLING

- Valve actuator mounting coupling
- Material free cutting steel optionally stainless

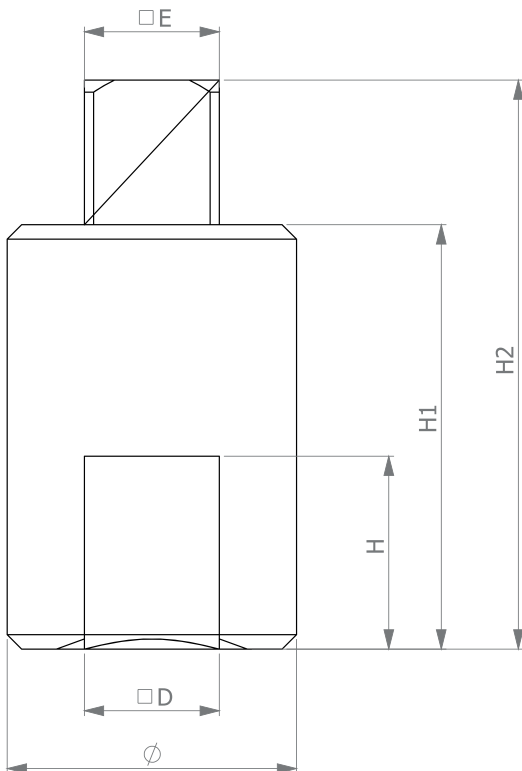


COUPLING/ BRACKET	ACTUATOR	□A	ØB	C	D
LARGE SIZE	200	36	65	98	134
	120-143-160-200	27	50	78	108
INTERMEDIATE SIZE	100-120-143-160	22	45	58	82
	80-100-120-143	17	35	58	75
	60-80-100	14	30	38	53
SMALL SIZE	40-60-80	11	25	38	52
	32-40-60-80	9	25	38	48

INTERCONNECT COUPLING & BRACKET



B	
H	
E	
T	
F1	
K1	
DD1	
F2	
K2	
DD2	

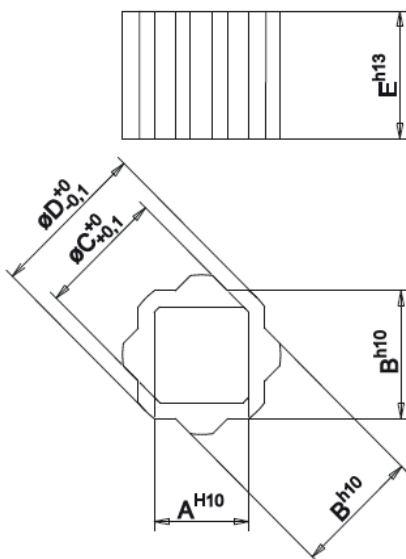
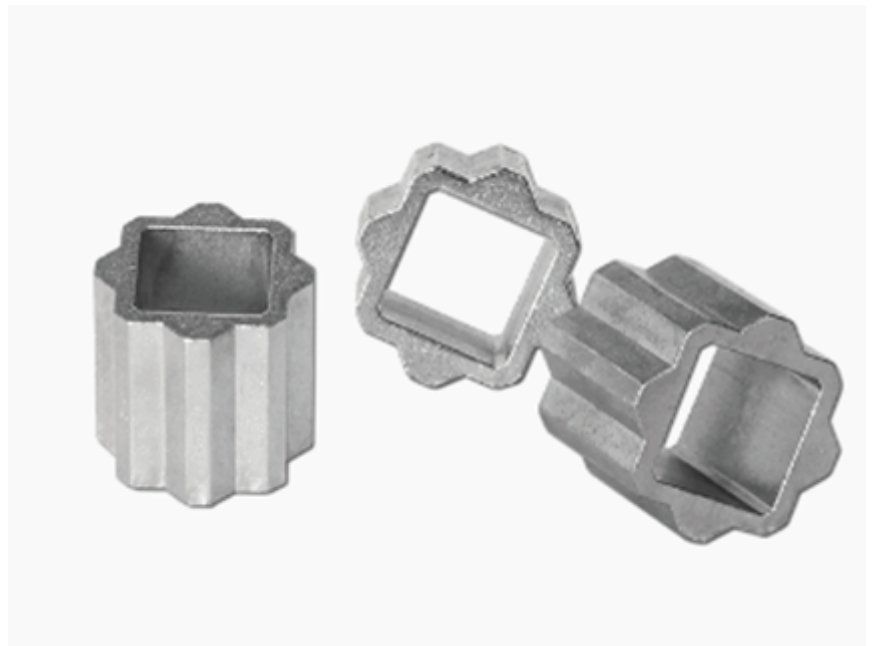


Q	
E	
D	
H	
H1	
H2	



ADAPTER

- Reduction of square and star connection in pneumatic or electric actuator
- Square and star sizes ISO 5211 - DIN 3337 namur
- Chamfered edges
- High tolerance accuracy



	TORK ADP1109X135	TORK ADP1409X175	TORK ADP1411X200	TORK ADP1711X215	TORK ADP1714X215
A	9	9	11	11	14
B	11	14	14	17	17
C	12,5	12,5	14	15	19
D	15	19,1	19,1	23,1	23,1
E	13,5	17,5	20,0	21,5	21,5

	TORK ADP2214X315	TORK ADP2217X315	TORK ADP2717X355	TORK ADP2722X355	TORK ADP3627X390
A	14	17	17	22	27
B	22	22	27	27	36
C	19	23	23	30	37
D	29,6	29,6	36	36	48
E	31,5	31,5	35,5	35,5	39