

Series V46

Pressure Actuated Modulating Valves

Introduction

These pressure actuated modulating valves control the quantity of water to a condenser by directly sensing pressure changes in a refrigerant circuit. The valves can be used in non-corrosive refrigerant systems. Ammonia power elements and valves designed for salt-water applications are available. The valves have a quick opening characteristic and open on pressure increase (direct acting). Reverse acting (close on pressure increase) is possible.



Series V46
Pressure Actuated Water Regulating Valve

Feature and Benefits	
<input type="checkbox"/> Pressure balanced valve design	Setpoint is independent from water inlet pressure
<input type="checkbox"/> High refrigerant pressure resistant bellows	Refrigeration pressure may increase up to 28 bar without bellow damage
<input type="checkbox"/> Pressure actuated	Direct and fast response to pressure variations
<input type="checkbox"/> 3/8, 1/2, 3/4" are angled body type valves with high Kv value	Small dimensions with high flow capacity
<input type="checkbox"/> 3/8" up to 2" pressure valves "all range" types	Reduces stock. One valve for all non-corrosive refrigerants
<input type="checkbox"/> Quick opening valve characteristics	Fast response to pressure increase
<input type="checkbox"/> No close fitting or sliding parts in water passages	No hysteresis increase or stuck valve caused by contamination
<input type="checkbox"/> Easy to disassemble. All parts can be replaced	Valve can easily be repaired "in line". Valve piece parts are available "world-wide"
<input type="checkbox"/> Special bronze bodies and monel parts	Used for sea water applications
<input type="checkbox"/> Power elements with stainless steel bellows available	For use on ammonia filled equipment
<input type="checkbox"/> Wide range of pressure connection styles	Possibility to meet the legislation in your country
<input type="checkbox"/> Nickel plated seats available for 3/8, 1/2, and 3/4" valves	High resistant against erosion/ corrosion and cavitation
<input type="checkbox"/> Direct/reverse action	Control action can be (factory) changed

Note

All series V46 water regulating valves are designed for use only as operating devices. Where system closure, improper flow or loss of pressure due to valve failure can result in personal injury and/or loss of property, a separate pressure relief or safety shut off valve, as applicable, must be added by the user.

Description

A pressure-balanced design employing rubber sealing diaphragms correctly proportioned to the valve port area, balances valve against both gradual and sudden water pressure changes, and seals water away from range spring, guides and sliding parts so these are not submerged in water where they would be subject to sedimentation and corrosion. Only five metal parts, made of corrosion resistant material, come in contact with the water. These are the valve disc holder, the disc stud, the valve seat, the valve stem, and the body.

Adjustments

The pressure at which the valve starts to open (= opening point) can be adjusted by the adjusting screw located at the top of the range spring housing. Valves may be adjusted with standard service valve wrenches or screwdrivers. (Valves are not factory set at a certain value.)

Manual flushing

Valves may be manually flushed by lifting the lower spring guide with screwdrivers at two sides of the pressure plate to open valve. This does not affect valve adjustment.

Valve size selection

The valve size is determined by three data:

- The required maximum flow (quantity of liquid = Q) that must pass the valve (in m³/h).
- The maximum allowed pressure drop (= ΔP) across the valve (in bar).
- The head pressure rise (= HPR) which is the difference between the pressure where the valve starts to open and the condenser operating pressure.

Note

At a certain pressure the valve starts to open. If the pressure decreases, the valve will close again at a $\approx 0,5$ bar lower pressure than the pressure where the valve starts to open.

Note

If the compressor operates in a high ambient temperature, the refrigerant pressure may at times remain high enough to cause the valve to partly open when the compressor is idle. In such conditions the valve opening point should be raised just enough to cause the valve to close during compressor standby periods. Take this into account when the head pressure rise (HPR) is calculated.

The valve size can be selected by the use of:

- the diagram (see page 3 and 4).
- K_V factors and calculation formulae (see page 3). This can only be used when the allowed head pressure rise is 3 bar or higher. At lower head pressure rises the diagram has to be used.

Valve size selection by the use of the diagram page 4

Q: The quantity of water (m³/h) is indicated on the left side of the upper diagram (= scale A).

□ **P:** The curves for the pressure drop across the valve are indicated in the lower diagram (0,1 up to 4 bar, see scale C).

HPR: The head pressure rise above the valve opening point is indicated at the left side of the lower diagram (max. 4 bar, see scale B).

Note

There are two vertical head pressure rise scales. The left side for range 5/18 bar valves and the right side for high ranges 5/23 and 10/23 bar valves.

Valve size: The valve size can be read from the right side of the upper diagram.

Valve size selection example:

$$\begin{aligned} Q &= 6,5 \text{ m}^3/\text{h} \\ \text{HPR} &= 2,7 \text{ bar} \\ \Delta P &= 0,5 \text{ bar} \end{aligned}$$

- Draw a horizontal line through the 6,5 m³/h point of scale A (see A).
- Draw a horizontal line through the 2,7 bar of scale B (see B). The intersection of this horizontal line with the delta P curve of 0,5 bar is used to draw a vertical line from this intersection point up to the horizontal line in scale A (see C).
- The intersection point of this vertical line with the horizontal line in scale A indicates the valve size. If the point falls on a size curve, this is the valve size needed. If it is between two sizes always take the largest valve size. In this example it is between size 1¹/₄" and 1¹/₂".
The selected valve is 1¹/₂".

Of course the same diagram can be used to read the pressure drop across a valve or to find the maximum capacity of a valve.

E.g. Pressure drop.

Q needed is 6 m³/h.
HPR is 2,5 bar.
The valve size available is ³/₄".
What will be the pressure drop?

Solution:

- Draw a horizontal line through 6 m³/h (scale A) and determine the intersection of this line with the ³/₄" valve curve.
 - Draw a vertical line from this intersection point to the 2,5 bar HPR line.
 - The found part is between the 2 and 3 bar pressure drop curves. Interpolate the point which gives 2,3 bar.
- If this is acceptable the valve can be used.

E.g. Maximum flow.

Valve size is 1"
HPR = 3 bar
Maximum Δ P = 2 bar
What is maximum Q?

Solution:

- Draw a horizontal line at 3 bar HPR (scale B) till intersection with 2 bar delta P curve.
- Draw a vertical line from this intersection point to the 1" valve curve.
- Draw from this point a horizontal line to the water flow scale A.
You find 9 m³/h.

Valve size selection by the use of the K_v factors and calculation formulae

For water:

The following K_v values can be used:

$$K_v = \frac{Q}{\sqrt{\Delta p}}$$

$$\Delta P = \left(\frac{Q}{K_v} \right)^2$$

$$Q = K_v \cdot \sqrt{\Delta p}$$

Valve size	K _v value
------------	----------------------

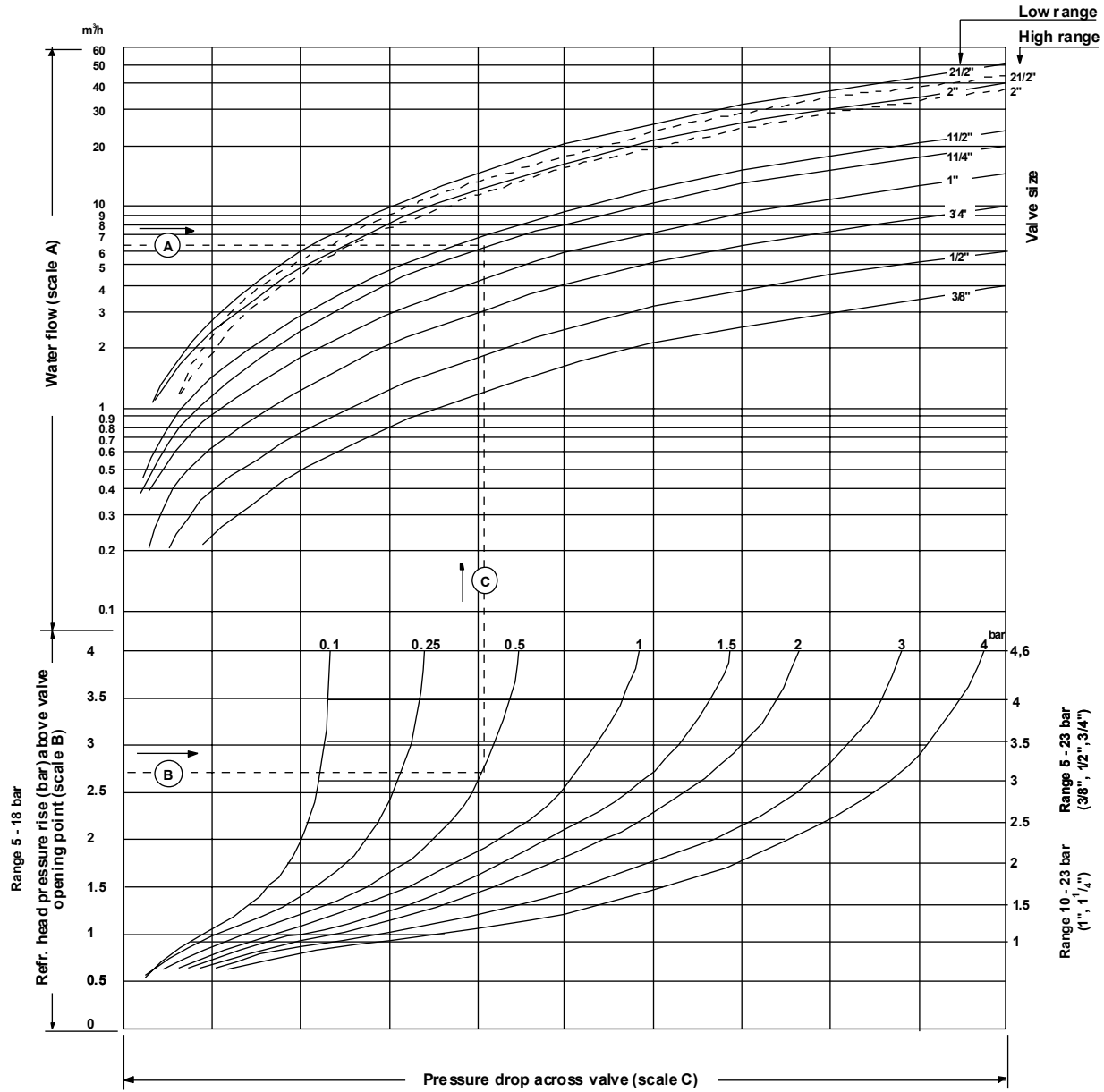
3/8"	1.8
1/2"	2.7
3/4"	4.5
1"	6.5
1 1/4"	9
1 1/2"	10.5
2"	18 (low range)
2"	17 (high range)
2 1/2"	22 (low range)
2 1/2"	20 (high range)

Q = quantity of liquid (in m³/h)
Δ P = pressure drop across valve (in bar)
K_v = valve flow coefficient

The K_v factor is the quantity of 20°C water that will pass through the valve at one bar pressure drop and a valve opening which belongs by 3 bar head pressure rise (HPR) above the valve opening point.

Diagram for selecting the valve size corresponding with information on page 3

Note: Use dotted curves for high range 2" and 2½" valves



Note: 1 dm³/s = 3.6 m³/h = 15.8 U.S. gal./min. = 13.2 U.K. gal./min.
1 bar = 100 kPa = 0.1 MPa ≈ 1.02 kp/cm² = 1.02 at ≈ 14.5 psi.

Fig. 1

Ammonia (NH₃) applications

For all larger valve types an ammonia element is available. These elements have style 15 pressure connection and consist of a stainless steel bellow in a steel cup (coated). The existing element can be replaced by this ammonia element. The pressure range does not change. For the high range valves (V46AS/AT/BS/BT) the spring inside the power element has to be placed in the ammonia element. If low pressure is needed this spring can be removed. For low quantities you have to order the selected valve and separate ammonia replacement power element (see valve type selection table). For quantity orders a special valve type can be set up. Then please contact the JC sales office in your region.

Repair and replacement

Diaphragm kits can be ordered for all valves. Also the complete power element can be replaced. For a total revision of the valve a renewal kit can be ordered.

For type numbers of replacement power elements, renewal kits and diaphragm kits see valve selection table.

If a replacement is ordered a "repair parts and service instruction" sheet will be included in which a step by step description is given to disassemble/assemble the valve.

Renewal KITS

Each KIT contains parts as indicated in the table below. The complete KIT must be ordered that contains part required.		Disc cup	Valve disc	Plunger disc	Seat guide	Disc stud	Valve stem	Valve disc holder	Extension sleeve	Valve seat	Diaphragms	Gasket	Valve seat wrench	Screw	Seal ring
Valve type:	KIT number:														
V46AA	STT002N600R	1	1	-	1	1	1	-	-	1	4	1	1	-	1
V46AB	STT003N600R	1	1	-	1	1	1	-	-	1	4	1	1	-	1
V46AC	STT004N600R	1	1	-	1	1	1	-	-	1	4	1	1	-	1
V46AD	STT17A609R	1	1	-	1	1	1	-	-	1	5	1	1	-	1
V46AE	STT17A610R	1	1	-	1	1	1	-	-	1	5	1	1	-	1
V46AR	STT17A610R	1	1	-	1	1	1	-	-	1	5	1	1	-	1
V46AS	STT18A600R	-	1	1	-	-	-	1	1	1	5	1	-	1	1
V46AT	STT18A601R	-	1	1	-	-	-	1	1	1	5	1	-	1	1
V46BA	STT14A601R	1	1	-	1	1	1	-	-	1	4	-	1	-	-
V46BB	STT15A603R	1	1	-	1	1	1	-	-	1	4	-	1	-	-
V46BC	STT17A613R	1	1	-	1	1	1	-	-	1	4	-	1	-	-
V46BD	STT17A611R	1	1	-	1	1	1	-	-	1	5	-	1	-	-
V46BE	STT17A612R	1	1	-	1	1	1	-	-	1	5	-	1	-	-
V46BR	STT17A612R	1	1	-	1	1	1	-	-	1	5	-	1	-	-
V46BS	STT18A602R	-	1	1	-	-	-	1	1	1	5	-	-	1	-
V46BT	STT18A602R	-	1	1	-	-	-	1	1	1	5	-	-	1	-

Pressure connections

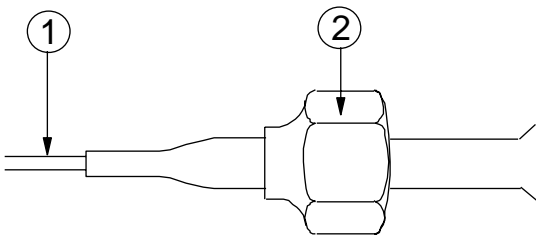


Fig. 2
Style 13 (excl. valve depressor)

- 1. 75 cm capillary
- 2. 7/16-20 UNF flare nut

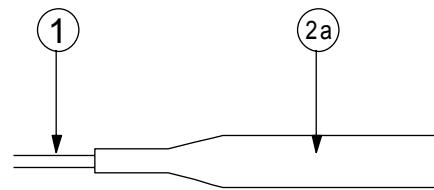


Fig. 3
Style 34

- 1. 75 cm capillary
- 2. 1/4" tube for braze connection

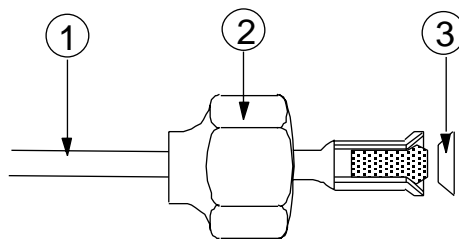


Fig. 4
Style 50 (incl. valve depressor mounted into machined flare)

- 1. 75 cm capillary.
- 2. 7/16 - 20 UNF flare nut.
- 3. copper sealring

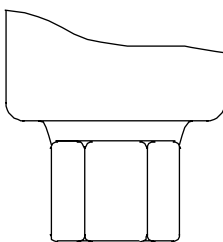


Fig. 5
Style 15
1/4-18NPT (female)

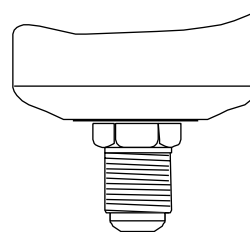


Fig. 6
Style 5
7/16-20 UNF

Dimensions (mm)

For valve type see specifications page 11

Angled type

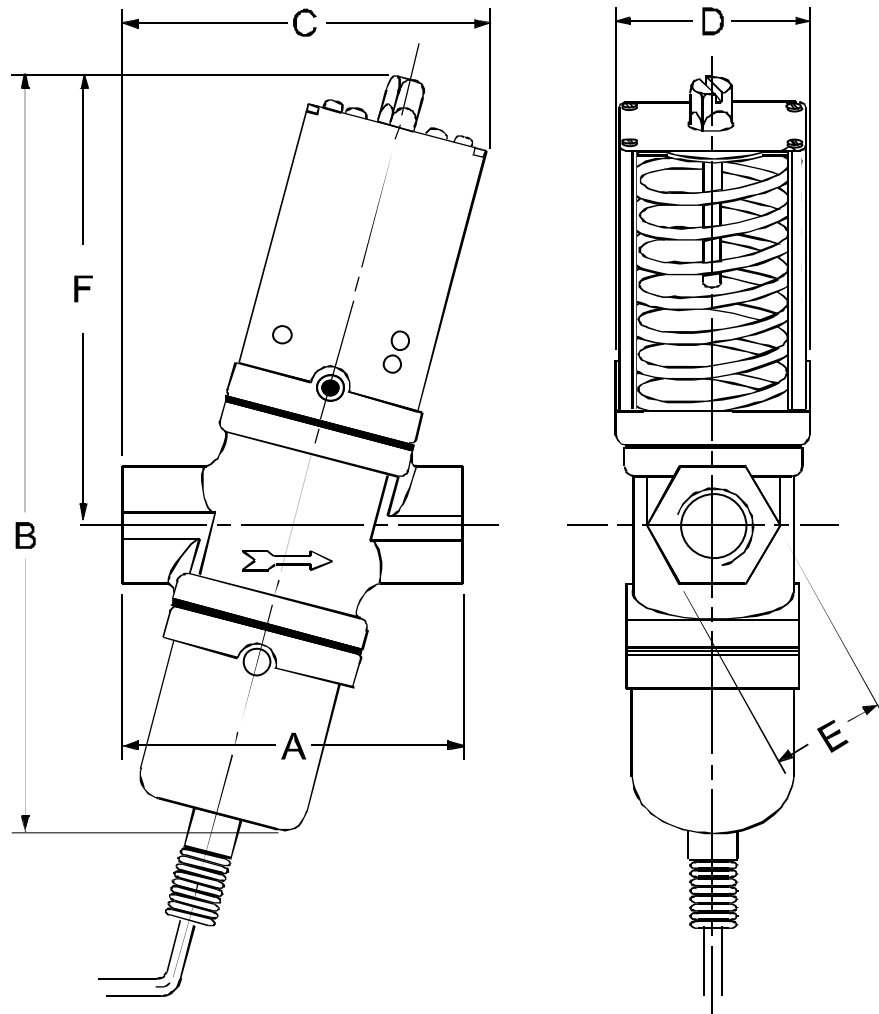


Fig. 7

Commercial Types

Valve type	Valve size	Dimensions in mm					
		A	B	C	D	E	F
V46AA	3/8"	69	153	66	43	18	89
V46AB	1/2"	80	170	86	51	27	100
V46AC	3/4"	91	183	95	55	36	110

Dimensions (mm)

For valve type see specifications page 11

Straight type

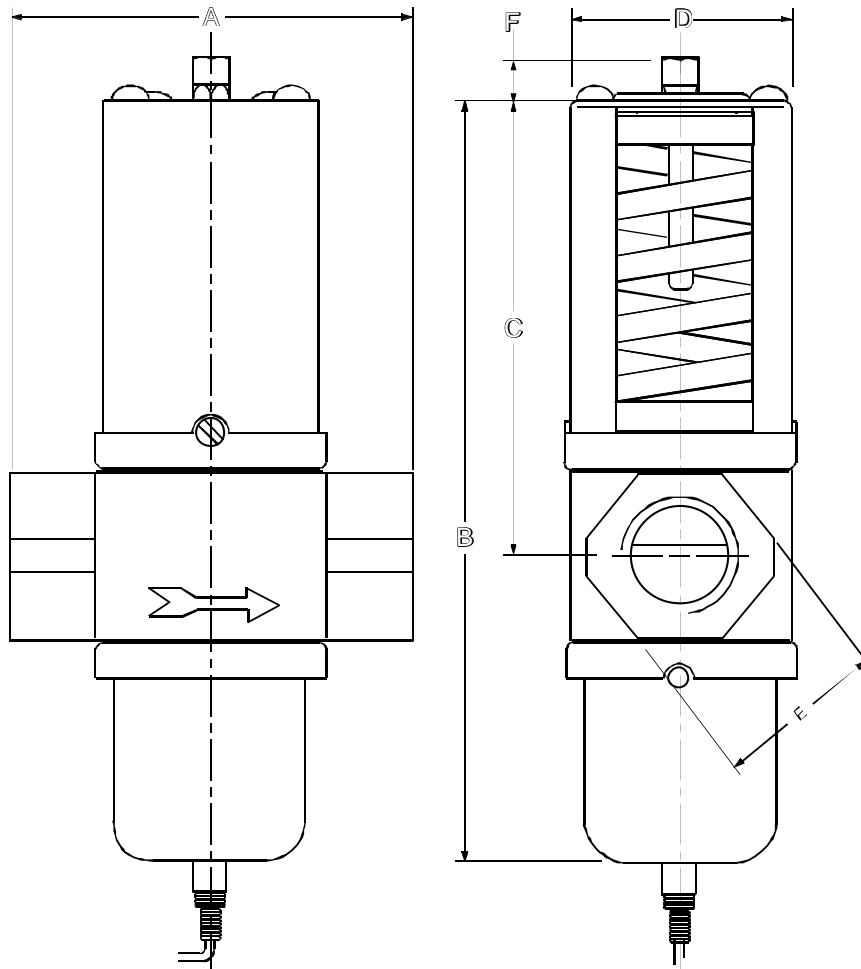


Fig. 8

Commercial Types

Valve type	Valve size	Dimensions in mm.					
		A	B	C	D	E	F
V46AD	1"	124	233	139	72	50	13
V46AE	1 1/4"	125	243	145	72	58	13

Sea-water Types

V46BA	3/8"	68	161	80	42	32	10
V46BB	1/2"	79	165	86	52	29	10
V46BC	3/4"	86	175	96	55	35	10
V46BD	1"	124	246	139	71	52	13
V46BE	1 1/4"	124	254	144	71	62	13

Dimensions (mm)

For valve type see specifications page 11

Flange type

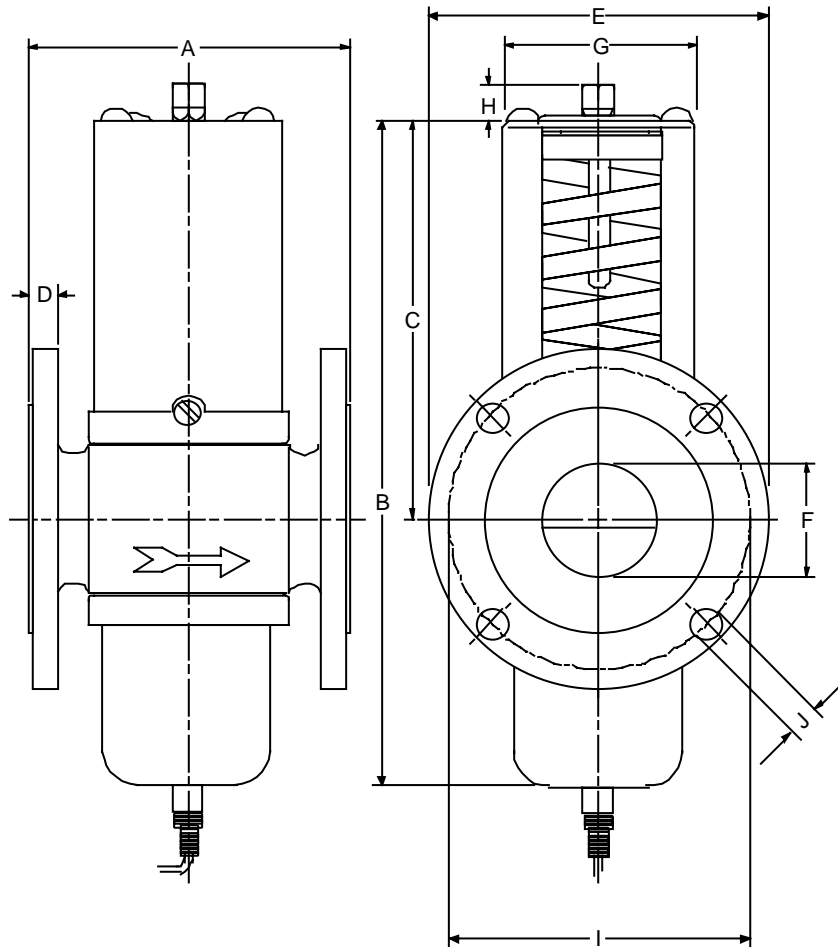


Fig. 9

Commercial Types

Valve type	Valve size	Dimensions in mm.									
		A	B	C	D	E	F	G	H	I	J
V46AR	1½"	137	244	144	18	150	47	67	13	110	18
V46AS	2"	168	304	164	20	165	57	90	18	125	18
V46AT	2½"	172	304	164	20	185	70	90	18	145	18

Sea-water Types

V46BR	1½"	135	244	144	14	150	47	67	13	110	18
V46BS	2"	162	304	164	16	165	57	90	18	125	18
V46BT	2½"	172	304	164	16	185	70	90	18	145	18

Valve selection table

Commercial types

Item	Size inch	Range bar	Refrig. connec. Style	Capil. length m	Connection thread/flange	Replacements			Ammonia element type	Weight single pack kg.	Qty per box	Weight per box kg.
						power element	renewal kit	diaphragm kit				
V46AA-9300	3/8	5/23	5	-	ISO 228 - G ³ / ₈	246-672R	STT002N600R	KIT016N600 (100)	-	0.9	24	22.0
V46AA-9301	3/8	5/23	5	-	ISO 228 - G ³ / ₈	246-672R	STT002N600R	KIT016N600 (100)	-	0.9	24	22.0
V46AA-9510	3/8	5/23	50	0.75	ISO 228 - G ³ / ₈	-	STT002N600R	KIT016N600 (100)	-	0.9	24	22.0
V46AA-9511	3/8	5/23	51	1.2	ISO 228 - G ³ / ₈	-	STT002N600R	KIT016N600 (100)	-	0.9	24	22.0
V46AA-9600	3/8	5/18	13	0.75	ISO 228 - G ³ / ₈	246-821R	STT002N600R	KIT016N600 (100)	-	0.9	24	22.0
V46AA-9602*	3/8	5/18	13	1.00	ISO 228 - G ³ / ₈	-	STT002N600R	KIT016N600 (100)	-	0.9	24	22.0
V46AA-9606*	3/8	5/23	13	0.75	ISO 228 - G ³ / ₈	246-821R	STT002N600R	KIT016N600 (100)	-	0.9	24	22.0
V46AA-9620	=	Bulkpack V46AA-9600									24	22.0
V46AA-9950*	3/8	5/18	34	0.75	ISO 228 - G ³ / ₈	-	STT002N600R	KIT016N600 (100)	-	0.9	24	22.0
V46AB-9300	1/2	5/23	5	-	ISO 228 - G ¹ / ₂	246-673R	STT003N600R	KIT016N601 (100)	-	1.3	18	24.0
V46AB-9510	1/2	5/23	50	0.75	ISO 228 - G ¹ / ₂	-	STT003N600R	KIT016N601 (100)	-	1.3	18	24.0
V46AB-9600	1/2	5/18	13	0.75	ISO 228 - G ¹ / ₂	246-824R	STT003N600R	KIT016N601 (100)	-	1.3	18	24.0
V46AB-9605*	1/2	5/23	13	0.75	ISO 228 - G ¹ / ₂	246-824R	STT003N600R	KIT016N601 (100)	-	1.3	18	24.0
V46AB-9950	1/2	5/18	34	0.75	ISO 228 - G ¹ / ₂	-	STT003N600R	KIT016N601 (100)	-	1.3	18	24.0
V46AB-9951*	1/2	5/23	34	0.75	ISO 228 - G ¹ / ₂	-	STT003N600R	KIT016N601 (100)	-	1.3	18	24.0
V46AC-9300	3/4	5/23	5	0.75	ISO 228 - G ³ / ₄	246-674R	STT004N600R	KIT016N602 (100)	-	1.7	14	25.5
V46AC-9510	3/4	5/23	50	0.75	ISO 228 - G ³ / ₄	-	STT004N600R	KIT016N602 (100)	-	1.7	14	25.5
V46AC-9600	3/4	5/18	13	0.75	ISO 228 - G ³ / ₄	246-825R	STT004N600R	KIT016N602 (100)	-	1.7	14	25.5
V46AC-9605*	3/4	5/23	13	0.75	ISO 228 - G ³ / ₄	246-825R	STT004N600R	KIT016N602 (100)	-	1.7	14	25.5
V46AC-9606	3/4	5/18	13	1.20	ISO 228 - G ³ / ₄	-	STT004N600R	KIT016N602 (100)	-	1.7	14	25.5
V46AC-9951	3/4	5/18	34	0.75	ISO 228 - G ³ / ₄	-	STT004N600R	KIT016N602 (100)	-	1.7	14	25.5
V46AD-9300	1	5/18	5	-	ISO 7 - Rc 1	246-675R	STT17A609R	KIT016N603 (50)	246-667R	3.5	1	3.5
V46AD-9510	1	5/18	50	0.75	ISO 7 - Rc 1	-	STT17A609R	KIT016N603 (50)	246-667R	3.5	1	3.5
V46AD-9511	1	10/23	50	0.75	ISO 7 - Rc 1	-	STT17A609R	KIT016N603 (50)	246-667R	3.5	1	3.5
V46AD-9600	1	5/18	13	0.75	ISO 7 - Rc 1	246-925R	STT17A609R	KIT016N603 (50)	246-667R	3.5	1	3.5
V46AE-9300	1 1/4	5/18	5	-	ISO 7 - Rc 1 1/4	246-675R	STT17A610R	KIT016N603 (50)	246-667R	3.8	1	3.8
V46AE-9510	1 1/4	5/18	50	0.75	ISO 7 - Rc 1 1/4	-	STT17A610R	KIT016N603 (50)	246-667R	3.8	1	3.8
V46AE-9512	1 1/4	10/23	50	0.75	ISO 7 - Rc 1 1/4	-	STT17A610R	KIT016N603 (50)	246-667R	4.0	1	3.8
V46AE-9513	1 1/4	10/23	50	1.50	ISO 7 - Rc 1 1/4	-	STT17A610R	KIT016N603 (50)	246-667R	4.0	1	3.8
V46AE-9600	1 1/4	5/18	13	0.75	ISO 7 - Rc 1 1/4	246-925R	STT17A610R	KIT016N603 (50)	246-667R	3.8	1	3.8
V46AE-9700	1 1/4	7/14	15	-	ISO 7 - Rc 1 1/4	246-667R	STT17A610R	KIT016N603 (50)	246-667R	3.8	1	3.8
V46AE-9950	1 1/4	5/18	34	1.30	ISO 7 - Rc 1 1/4	-	STT17A610R	KIT016N603 (50)	-	3.8	1	3.8
V46AR-9300	1 1/2	5/18	5	-	Flange 1 1/2 DIN2533	246-675R	STT17A610R	KIT016N603 (50)	246-667R	7.5	1	7.5
V46AR-9600	1 1/2	5/18	13	0.75	Flange 1 1/2 DIN2533	246-925R	STT17A610R	KIT016N603 (50)	246-667R	7.5	1	7.5
V46AR-9700	1 1/2	7/14	15	-	Flange 1 1/2 DIN2533	246-667R	STT17A610R	KIT016N603 (50)	246-667R	7.5	1	7.5
V46AS-9300	2	5/11.5	5	-	Flange 2 DIN2533	246-671R	STT18A600R	KIT016N604 (25)	246-781R	13.0	1	13.0
V46AS-9301	2	11/18	5	-	Flange 2 DIN2533	246-758R	STT18A600R	KIT016N604 (25)	246-781R	13.0	1	13.0
V46AS-9700	2	7/14	15	-	Flange 2 DIN2533	246-781R	STT18A600R	KIT016N604 (25)	246-781R	13.0	1	13.0
V46AT-9300	2 1/2	5/11.5	5	-	Flange 2 1/2 DIN2533	246-671R	STT18A601R	KIT016N604 (25)	246-781R	14.0	1	14.0
V46AT-9301	2 1/2	11/18	5	-	Flange 2 1/2 DIN2533	246-758R	STT18A601R	KIT016N604 (25)	246-781R	14.0	1	14.0
V46AT-9700	2 1/2	7/14	15	-	Flange 2 1/2 DIN2533	246-781R	STT18A601R	KIT016N604 (25)	246-781R	14.0	1	14.0

* nickel plated seat

Sea-water types

Item	Size inch	Range bar	Refrig. connec. style	Capil. length m	Connection thread/flange	Replacements			Ammonia element type	Weight single pack kg.	Qty per box	Weight per box kg.
						power element	renewal kit	diaphragm kit				
V46BA-9510	3/8	5/23	50	0.75	ISO 228 - G ³ / ₈	-	STT14A601R	KIT016N600 (100)	-	0.8	24	20.0
V46BA-9600	3/8	5/18	13	0.75	ISO 228 - G ³ / ₈	246-821R	STT14A601R	KIT016N600 (100)	-	0.8	24	20.0
V46BB-9510	1/2	5/23	50	0.75	ISO 228 - G ¹ / ₂	-	STT15A603R	KIT016N601 (100)	-	1.3	18	24.0
V46BB-9600	1/2	5/18	13	0.75	ISO 228 - G ¹ / ₂	246-824R	STT15A603R	KIT016N601 (100)	-	1.3	18	24.0
V46BC-9510	3/4	5/23	50	0.75	ISO 228 - G ³ / ₄	-	STT17A613R	KIT016N602 (100)	-	1.7	14	25.0
V46BC-9511	3/4	5/23	50	1.40	ISO 228 - G ³ / ₄	-	STT17A613R	KIT016N602 (100)	-	1.7	14	25.0
V46BC-9600	3/4	5/18	13	0.75	ISO 228 - G ³ / ₄	246-825R	STT17A613R	KIT016N602 (100)	-	1.7	14	25.0
V46BC-9601	3/4	5/18	13	1.20	ISO 228 - G ³ / ₄	-	STT17A613R	KIT016N602 (100)	-	1.7	14	25.0
V46BD-9510	1	10/23	50	0.75	ISO 228 - G1	-	STT17A611R	KIT016N603 (50)	246-667R	4.0	1	4.0
V46BD-9600	1	5/18	13	0.75	ISO 228 - G1	246-925R	STT17A611R	KIT016N603 (50)	246-667R	4.0	1	4.0
V46BD-9601	1	5/18	13	1.20	ISO 228 - G1	-	STT17A611R	KIT016N603 (50)	246-667R	4.0	1	4.0
V46BE-9510	1 1/4	5/18	50	0.75	ISO 228 - G1 1/4	-	STT17A612R	KIT016N603 (50)	246-667R	4.5	1	4.5
V46BE-9511	1 1/4	10/23	50	1.50	ISO 228 - G1 1/4	-	STT17A612R	KIT016N603 (50)	246-667R	4.5	1	4.5
V46BE-9600	1 1/4	5/18	13	0.75	ISO 228 - G1 1/4	246-925R	STT17A612R	KIT016N603 (50)	246-667R	4.5	1	4.5
V46BE-9601	1 1/4	5/18	13	1.20	ISO 228 - G1 1/4	-	STT17A612R	KIT016N603 (50)	246-667R	4.5	1	4.5
V46BR-9510	1 1/2	5/18	50	0.75	Flange 1 1/2 DIN86021	-	STT17A612R	KIT016N603 (50)	246-667R	7.5	1	7.5
V46BR-9600	1 1/2	5/18	13	0.75	Flange 1 1/2 DIN86021	246-925R	STT17A612R	KIT016N603 (50)	246-667R	7.5	1	7.5
V46BS-9300	2	5/11.5	5	-	Flange 2 DIN86021	246-758R	STT18A602R	KIT016N604 (25)	246-781R	13.5	1	13.5
V46BS-9301	2	11/18	5	-	Flange 2 DIN86021	246-758R	STT18A602R	KIT016N604 (25)	246-781R	13.5	1	13.5
V46BT-9300	2 1/2	5/11.5	5	-	Flange 2 1/2 DIN86021	246-758R	STT18A602R	KIT016N604 (25)	246-781R	14.5	1	14.5
V46BT-9301	2 1/2	11/18	5	-	Flange 2 1/2 DIN86021	246-758R	STT18A602R	KIT016N604 (25)	246-781R	15.0	1	15.0
V46BT-9700	2 1/2	7/14	15	-	Flange 2 1/2 DIN86021	246-781R	STT18A602R	KIT016N604 (25)	246-781R	15.0	1	15.0

Specifications

Commercial

	Size	3/8" - 3/4"	1" - 1 1/4"	1 1/2"	2" - 2 1/2"	2" - 2 1/2"
Operating range (bar)		5-18 / 5-23	5-18 / 10-23	5-18	5-11,5	11-18
Max. refrig. overrun press. (bar)		28	28	28	28	28
Max. water supply press. (bar)		10	10	10	10	10
Max. water supply temp.		90 °C	90 °C	90 °C	90 °C	90 °C
Min. water supply temp.*		-20 °C	-20 °C	-20 °C	-20 °C	-20 °C
Valve hysteresis (bar)		~ 0,5	~ 0,5	~ 0,5	~ 0,5	~ 0,5
Valve body style	angled	x				
	straight		x	x	x	x
Pipe connection**	thread ISO 228	x				
	thread ISO 7 - Rc		x			
	flange DIN 2533			x	x	x
Material	body	hot forged brass	cast iron***	cast iron***	cast iron***	cast iron***
	disc stud/disc cup	brass	brass	brass	brass	brass
	seat	alum. bronze	alum. bronze	alum. bronze	alum. bronze	alum. bronze
	diaphragms	BUNA-N	BUNA-N	BUNA-N	BUNA-N	BUNA-N
	bellows	ph. bronze	ph. bronze	ph. bronze	tombac	monel
	stem/extension sleeve	brass	brass	brass	brass	brass
	disc	BUNA-N	BUNA-N	BUNA-N	BUNA-N	BUNA-N

Sea-water

	Size	3/8" - 3/4"	1" - 1 1/4"	1 1/2"	2" - 2 1/2"	2" - 2 1/2"
Operating range (bar)		5-18 / 5-23	5-18 / 10-23	5-18	5-11,5	11-18
Max. refrig. overrun press. (bar)		28	28	28	28	28
Max. water supply press. (bar)		10	10	10	10	10
Max. water supply temp.		90 °C	90 °C	90 °C	90 °C	90 °C
Min. water supply temp.*		-20 °C	-20 °C	-20 °C	-20 °C	-20 °C
Valve hysteresis (bar)		~ 0,5	~ 0,5	~ 0,5	~ 0,5	~ 0,5
Valve body style	straight	x	x	x	x	x
Pipe ** connection	thread ISO 228	x	x			
	flange DIN86021			x	x	x
Material	body	bronze	bronze	bronze	bronze	bronze
	disc stud/disc cup	monel	monel	monel	monel	monel
	seat	monel	monel	monel	monel	monel
	diaphragms	BUNA-N	BUNA-N	BUNA-N	BUNA-N	BUNA-N
	bellows	ph. bronze	ph. bronze	ph. bronze	monel	monel
	stem/extension sleeve	monel	monel	monel	monel	monel
	disc	BUNA-N	BUNA-N	BUNA-N	BUNA-N	BUNA-N
Pressure connection style		See selection table.				
Capillary length		See selection table.				
Ammonia element style 15 press. connection		Stainless steel bellow in steel cup.				
Shipping weights		See valve selection table.				

* Care should be taken the valve does not freeze up.
 ** Thread ISO 7 - Rc = DIN2999-RC thread/ISO 228 = DIN259-Rp thread
 *** Cast iron bodies are executed with rust resisting finish

The performance specifications are nominal and conform to acceptable industry standards. For application at conditions beyond these specifications, consult the local Johnson Controls office. Johnson Controls, Inc. shall not be liable for damages resulting from misapplication or misuse of its products.



Johnson Controls International, Inc.

Headquarters: Milwaukee, Wisconsin, USA
 European Customer Service Center: Westendhof 3, D-45143 Essen, Germany
 European Factories: Essen (Germany), Leeuwarden (The Netherlands) and Lomagna (Italy)
 Branch Offices: Principal European Cities.
 This document is subject to change

www.johnsoncontrols.com
 Printed in Europe

Instruction sheet V46

Pressure Actuated Water Regulating Valve



V46AA

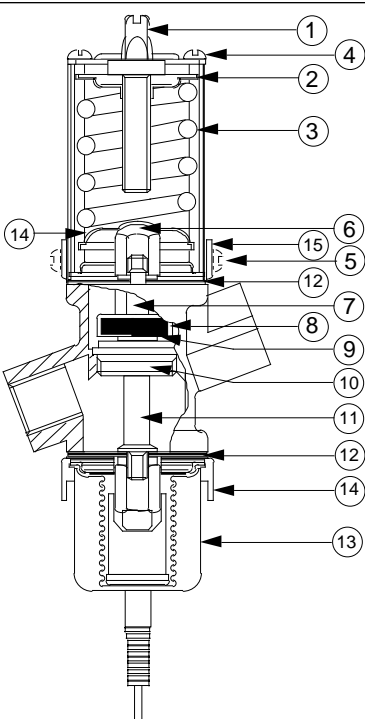


Fig. 1

ENGLISH

READ THIS INSTRUCTION SHEET CAREFULLY BEFORE INSTALLING. KEEP THIS INSTRUCTION SHEET WITH THE CONTROL.

- Fig. 1**
- 1 Range adjusting screw
 - 2 Spring cap
 - 3 Range spring
 - 4 Housing screw
 - 5 Side screws (1" or larger valves only)
 - 6 Seat guide Post
 - 7 Disc stud
 - 8 Disc cup
 - 9 Valve disc
 - 10 Valve seat
 - 11 Valve stem
 - 12 Rubber diaphragm
 - 13 Sensing element
 - 14 Pressure plate

Note

The information provided in this instruction sheet should be sufficient for installation and adjustment of the V46. For additional information you can obtain the V46 product data sheet.

Note

All Serie V46 water regulating valves are designed for use only as operating devices. Where system closure, improper flow or loss of pressure due to valve failure can result in personal injury and/or loss of property, a separate pressure relief or safety shut off valve, as applicable, must be added by the user.

Caution

All valves can only be used with non-corrosive refrigerants except the special ammonia valves or elements for ammonia applications.

Installation

The valve automatically operates by directly sensing pressure changes in a refrigerant circuit.

- Flush water lines before the valve is installed to be sure all foreign matter is removed.
- The direction of the water flow is indicated by an arrow on the valve body.
- Mount the valve vertically. The pressure connection can be mounted to any convenient access point on the high side of the refrigeration system. The reaction time can be affected by oil in the capillary. In critical situations it is preferred to mount the control above the normal refrigerant oil level.
- Purge all tubing and lines before mounting the pressure connection.
- Avoid sharp bends or kinks in capillary tubing.
- Do not allow capillary tubing to rub against hard or rough surfaces where friction can damage the capillary.
- Coil and secure excess capillary length to avoid vibration. Allow some slack in capillary to avoid "violin string" vibration which can cause tubing to break.
- To prevent water leakage we advise to check the screws of the spring housing and power element on tightness. Use the torques as indicated in the table below.

Valve size	Torques (Nm)
3/8"	1.2 - 1.8
1/2"	2.3 - 2.9
3/4"	3.5 - 4.1
1" - 1 1/4" - 1 1/2"	4.6 - 5.2
2" - 2 1/2"	6.9 - 7.5

Manual flushing

Valves may be manually flushed by lifting the lower spring guide with screwdrivers at two sides of the pressure plate to open valve. This does not affect valve adjustment.

Adjustments

To raise the valve opening point, turn the adjusting screw counterclockwise; to lower valve opening point, turn the adjusting screw clockwise. Pressure actuated valves close approximately 0,5 bar below opening point. Exact setting can be made by using a pressure gauge.

Note

If the compressor operates in high ambient temperatures, the refrigerant pressure may at times remain high enough to cause the valve to partly open when the compressor is idle. In such instances, the opening point of the valve should be raised just enough to cause the valve to close during compressor standby periods.

System check

Before leaving the installation the system should be run through at least one complete operating cycle to be sure the valve is operating correctly.

Repair and replacement

Valve seat (10) and valve disc (9), after long periods of operation, may become worn, pitted or "wire-drawn". Diaphragm kits, replacement power elements and renewal kits for complete valve revision are available. Please contact your nearest supplier or use the selection table in the V46 product data sheet. A complete description to disassemble/assemble the valve is delivered with each renewal kit.

FRANÇAIS

VEUILLEZ LIRE ATTENTIVEMENT CETTE FICHE D'INSTRUCTIONS AVANT DE PROCEDER A L'INSTALLATION ET LA CONSERVER AVEC L'APPAREIL.

- Fig. 1**
- 1 Vis de réglage
 - 2 Bague à ressort
 - 3 Ressort de réglage
 - 4 Vis de logement
 - 5 Vis latérales (1" ou uniquement robinets plus larges)
 - 6 Guidage de siège
 - 7 Crampon disque
 - 8 Cuvette disque
 - 9 Disque robinet
 - 10 Siège robinet
 - 11 Tige robinet
 - 12 Diaphragme caoutchouc
 - 13 Corps d'épreuve
 - 14 Plaque de pression

Remarque

Les informations contenues dans cette fiche d'instructions doivent suffire au montage et au réglage du V46. Si vous désirez des informations supplémentaires, veuillez demander la feuille des caractéristiques techniques du V46.

Remarque

Les robinets automatiques de débit d'eau de la série V46 sont conçus uniquement comme appareils de contrôle. L'utilisateur doit ajouter un limiteur de pression ou un interrupteur, selon les cas, là où les défaillances du robinet automatique pourraient provoquer un bouchage du système, un débit incorrect ou une déperdition de pression et entraîner des blessures corporelles et ou une perte de propriété.

Avertissement

Les robinets automatiques doivent être uniquement utilisés en combinaison avec des fluides frigorigènes non-corrosifs, à l'exception des robinets ou éléments spécialement conçus pour les applications à l'ammoniaque.

Installation

- Le robinet fonctionne automatiquement en détectant les modifications du niveau de pression dans un circuit de refroidissement.
- Bien rincer les canalisations d'eau avant de raccorder le robinet automatique de débit d'eau, pour assurer l'élimination de tout corps étranger.
 - La flèche présente sur le corps du robinet indique le sens de l'écoulement de l'eau.
 - Montez le robinet à la verticale. Vous pouvez monter le raccord pression à n'importe quel point souhaité sur le haut côté du système de refroidissement. La présence d'huile dans le capillaire peut influencer sur le temps de réponse. Il convient, dans les situations critiques, de monter le robinet au-dessus du niveau normal de l'huile frigorigène.
 - Purgez toute l'installation avant de monter le raccord pression.
 - Évitez les courbes serrées ou les vrilles sur le capillaire.
 - Ne laissez pas le capillaire frotter contre des surfaces dures ou rugueuses car la friction pourrait l'endommager.
 - Faites une spirale et attachez l'excédent de longueur de capillaire pour éviter les vibrations. Laissez du jeu au capillaire pour éviter les vibrations genre "corde de violon" qui pourraient provoquer une rupture de celui-ci.
 - Il est conseillé en vue de parer à toute fuite d'eau, de vérifier si les vis du logement ressort et de l'élément puissance sont bien serrées. Appliquez le couple comme indiqué ci-dessous:

Dimension robinet	Couples (Nm)
3/8"	1.2 - 1.8
1/2"	2.3 - 2.9
3/4"	3.5 - 4.1
1" - 1 1/4" - 1 1/2"	4.6 - 5.2
2" - 2 1/2"	6.9 - 7.5

Rinçage manuel

Les robinets peuvent être rincés manuellement. Pour ouvrir le robinet, soulevez le guidage de ressort inférieur en plaçant les tournevis des deux côtés de la plaque de pression. Ceci n'endommage pas les réglages du robinet.

Réglages

Pour hausser la consigne d'ouverture du robinet, tournez la vis de réglage dans le sens inverse des aiguilles d'une montre; pour la réduire tournez la vis dans le sens des aiguilles d'une montre. Les robinets automatiques de débit d'eau commandés par le niveau de pression se referment lorsque la pression est inférieure d'environ 0,5 bar à la consigne d'ouverture. Il est possible d'utiliser un manomètre pour effectuer les réglages précis.

Remarque

Si le compresseur fonctionne lorsque la température ambiante est élevée, la pression du fluide frigorigène peut des fois demeurer assez élevée et causer l'ouverture partielle du robinet durant le repos du compresseur. Dans ces cas, il y a lieu de hausser légèrement la consigne d'ouverture de sorte à assurer la fermeture du robinet quand le compresseur est au repos.

Procédure de vérification

Après avoir procédé à l'installation et au réglage du robinet automatique, contrôlez le bon fonctionnement du système en lui faisant faire au moins un cycle complet.

Réparation et remplacement

A la suite d'une utilisation prolongée, le siège (10) et le disque (9) du robinet pourraient montrer des signes d'usure, des petits trous ou "étrétements". Des kits de diaphragme, des kits de rechange des éléments puissance et de remplacement pour la révision générale du robinet sont disponibles. Veuillez pour cela consulter votre revendeur le plus proche ou consulter le tableau de sélection de la feuille des caractéristiques techniques du V46. Une description complète du démontage/montage du robinet est livrée avec chaque kit de remplacement.

DEUTSCH

LESEN SIE DIESE MONTAGEANLEITUNG SORGFÄLTIG VOR DEM EINBAU. BEWAHREN SIE DIESE ANLEITUNG BEIM GERÄT AUF.

- Abb. 1**
- 1 Einstellschraube
 - 2 Federkappe
 - 3 Bereichsfeder
 - 4 Gehäuseschraube
 - 5 Seitenschrauben (1" oder größere Ventile)
 - 6 Sitzprofil
 - 7 Scheibenocken
 - 8 Scheibentasse
 - 9 Ventilteller
 - 10 Ventilsitz
 - 11 Ventilschaft
 - 12 Gummimembran
 - 13 Fühlerelement
 - 14 Unterlegscheibe

Hinweis

Die in dieser Montageanleitung gemachten Angaben dienen der Installation und Einstellung des V46. Weitergehende Informationen sind im Apparateblatt (V46) enthalten.

Hinweis

Die Kühlwasserregler V46 sind ausschließlich für die Betriebsüberwachung konzipiert. Wo durch Ventilausfall ausgelöste Systemausfälle, Durchflußstörungen oder Druckverluste zu Körperverletzungen oder Betriebsschäden führen können, ist ein zusätzliches Entspannungs- oder Sicherheitsventil einzusetzen.

Achtung

Die Ventile, mit Ausnahme der speziellen Ammoniak-ventile oder der speziell für Ammoniakwendungen entwickelten Elemente sind ausschließlich für nichtkorrosive Kälteflüssigkeiten geeignet.

Montage

- Das Ventil ist für die automatische Regelung von Druckveränderungen in Kältekreisläufen konzipiert.
- Vor dem Einbau die Wasserleitungen gründlich durchspülen.
 - Die Fließrichtung ist durch einen Pfeil auf dem Ventilkörper angegeben.
 - Das Ventil vertikal einsetzen. Die Druckverbindung kann an jeden beliebigen Zugangspunkt auf der hohen Seite des Kältesystems montiert werden. Die Auslösezeit kann durch Öl im Kapillarrohr beeinträchtigt werden. In kritischen Situationen ist das Ventil vorzugsweise über dem normalen Ölniveau zu montieren.
 - Alle Leitungen vor der Montage der Druckverbindung reinigen bzw. durchblasen.
 - Das Kapillarrohr nicht zu eng biegen oder knicken.
 - Das Kapillarrohr darf nicht an scharfen oder rauen Oberflächen anliegen, um Schäden durch Reibung zu vermeiden.
 - Kapillarrohrüberlänge aufwickeln und sichern. Das Kapillarrohr muß spannungsfrei verlegt werden, um Schwingungsübertragung zu vermeiden, die Brüche verursachen können.
 - Um Wasserleakage zu vermeiden, sollten die Schrauben des Federgehäuses und des Kraftelements überprüft werden. Die nachstehende Tabelle gibt die Richtmomente an.

Ventilgröße	Moment (Nm)
3/8"	1.2 - 1.8
1/2"	2.3 - 2.9
3/4"	3.5 - 4.1
1" - 1 1/4" - 1 1/2"	4.6 - 5.2
2" - 2 1/2"	6.9 - 7.5

Manuelles Durchspülen

Die Ventile können manuell durchgespült werden. Durch Anheben des unteren Federleitprofils an beiden Seiten der Unterlegscheibe mit Schraubenziehern wird das Ventil geöffnet. Die Ventileinstellung wird dadurch nicht beeinträchtigt.

Einstellung

Ein höherer Ventillöffnungspunkt wird durch Drehen der Einstellschraube nach links, ein niedrigerer Öffnungspunkt durch Drehen der Schraube nach rechts eingestellt. Druckgesteuerte Ventile schließen ca. 0,5 bar unter dem Öffnungspunkt. Genauere Einstellung kann mit einem Manometer erfolgen.

Hinweis

Bei hohen Umgebungstemperaturen kann der Kältemitteldruck so hoch bleiben, daß das Ventil sich teilweise öffnet, wenn der Verdichter außer Betrieb ist. In dem Fall ist der Öffnungspunkt des Ventils soviel höher einzustellen, daß sich das Ventil bei Stillstand des Verdichters automatisch schließt.

Funktionsprüfung

Im Anschluß an die vorschriftsmäßigen Einbau und die Einstellung sollte das System über einen vollen Zyklus geprüft werden.

Reparatur und Ersatz

Ventilsitz (10) und Ventilteller (9) können nach einer längeren Betriebsperiode abgenutzt, angegriffen oder verformt sein. Für Membransets, Reservekraftelemente und Erneuerungssets zur kompletten Überholung des Ventils wenden Sie sich an Ihren Lieferanten oder sehen Sie in der Tabelle im V46-Apparateblatt nach. Jedem Erneuerungssatz wird eine vollständige Montageanleitung beigelegt.

NEDERLANDS

LEES DIT INSTRUCTIEBLAD AANDACHTIG DOOR ALVORENS U MET DE INSTALLATIE BEGINT. BEWAAR HET BLAD BIJ HET REGELAPPARAAT.

- Fig. 1**
- 1 Instelschroef
 - 2 Klepveerschotel
 - 3 Instelveer
 - 4 Mantelschroef
 - 5 Zijschroeven (uitsluitend bij een klepgroote van >1")
 - 6 Klepgeleider
 - 7 Disc-bevestigingsbout
 - 8 Disc-houder
 - 9 Klepschijf
 - 10 Klepzitting
 - 11 Klepsteeel
 - 12 Rubbermembraan
 - 13 Aftastelement
 - 14 Drukplaat

Opmerking

Met behulp van dit instructieblad kunt u de V46 installeren en instellen. Voor aanvullende informatie verwijzen wij u naar het V46- productinformatieblad.

Opmerking

De waterregelkleppen van het type V46 zijn uitsluitend bedoeld voor gebruik als regeltoestel. Een defecte klep kan leiden tot afsluiting, belemmerde doorstroming of drukverlies. Wanneer een en ander mogelijk gepaard gaat met persoonlijke en/of materiële schade, dient ter beveiliging een aparte overdrukklep of afsluitklep (afhankelijk van het type systeem) te worden geïnstalleerd.

Waarschuwing

De kleppen zijn uitsluitend bedoeld voor gebruik met niet-corroderende koelmiddelen. Deze beperking geldt niet voor de speciale ammoniakkleppen of elementen die zijn bedoeld voor ammoniaktoepassingen.

Installatie

De klep treedt direct automatisch in werking zodra drukwijzigingen in het koelcircuit worden gedetecteerd.

- Spoel de waterleidingen vóór installatie van de klep goed door om stof en vuil te verwijderen.
- Een pijl op het klephuis geeft de stroomrichting van het water weer.
- Plaats de klep verticaal. De drukaansluiting kan op ieder geschikt punt op de hoge-drukzijde van het koelsysteem worden gemonteerd. De aanwezigheid van olie in het capillair kan de reactietijd nadelig beïnvloeden. Bij kritische toepassingen verdient het aanbeveling de regeleniveau boven het normale koelolieniveau te plaatsen.
- Reinig alle buizen en leidingen vóór montage van de drukaansluiting.
- Voorkom scherpe bochten en knikken in de capillaire leidingen.
- Voorkom beschadigingen van de capillaire leidingen als gevolg van wrijving. Laat capillaire leidingen daarom niet langs harde of ruwe oppervlakken schuren.
- Wind het teveel aan capillair op en bevestig dit zodanig dat er geen vibraties kunnen optreden. Zorg echter voor voldoende speling om het zogenaemde 'violsnaareffect' (waardoor de leiding kan breken) te voorkomen.
- Om waterlekage te voorkomen, is het raadzaam te controleren of de schroeven van het veerhuis en het aftastelement voldoende zijn aangedraaid. Zie onderstaande tabel voor de betreffende torsiewaarden.

Klepgroote	Torsiewaarde (Nm)
3/8"	1.2 - 1.8
1/2"	2.3 - 2.9
3/4"	3.5 - 4.1
1" - 1 1/4" - 1 1/2"	4.6 - 5.2
2" - 2 1/2"	6.9 - 7.5

Handmatig doorspoelen

De kleppen kunnen handmatig worden doorspoeld. Til hiertoe met behulp van twee schroevendraaiers de onderste veergeleiding op ter hoogte van de drukplaat en open de klep. Deze handeling heeft geen invloed op de klepafstelling.

Afstelling

Het openingspunt van de kleppen kan worden gewijzigd met behulp van de instelschroef. Om het openingspunt te verhogen of te verlagen, dient de instelschroef tegen de wijzers van de klok in resp. met de wijzers van de klok mee te worden gedraaid. De sluitdruk van drukgestuurde kleppen ligt circa 0,5 bar onder de openingsdruk. Gebruik een manometer voor een exacte drukafstelling.

Opmerking

Wanneer de compressor wordt gebruikt bij een hoge omgevings-temperatuur, blijft de vloeistofdruk na het uitschakelen van de compressor soms zo hoog dat de klep hierdoor gedeeltelijk opengaat. Om dergelijke situaties te voorkomen, dient het openingspunt van de klep iets te worden verhoogd zodat de klep sluit wanneer de compressor stilstaat.

Systemcontrole

Controleer voor de ingebruikname van het systeem of de klep naar behoren functioneert. Laat het systeem hiertoe minimaal één volledige arbeidscyclus doorlopen.

Reparatie en vervanging

Bij de klepzitting (10) en de klepschijf (9) kan na verloop van tijd slijtage, invreting of 'draadtrekking' plaatsvinden. Voor revisie van de kleppen staat een aantal mogelijkheden open. Zo zijn er nieuwe membranen, nieuwe aftastelementen en reparatiesets verkrijgbaar. Neem voor meer informatie contact op met de dichtstbijzijnde leverancier of maak gebruik van de keuzetabel uit het V46-productinformatieblad. Iedere reparatieset bevat een handleiding voor het demonteren en monteren van de klep.

ESPAÑOL

LEA CON CUIDADO ESTA HOJA DE INSTRUCCIONES ANTES DE INSTALAR. MANTENGA ESTA HOJA DE INSTRUCCIONES JUNTO CON EL CONTROLADOR.

Fig. 1

1	Tornillo de ajuste
2	Tapa de resorte
3	Resorte de gama
4	Tornillo de caja
5	Tornillos laterales (sólo válvulas de 1" o mayores)
6	Guía de la válvula
7	Pasador de disco
8	Corona de disco
9	Disco de válvula
10	Asiento de válvula
11	Vástago de válvula
12	Diafragma de caucho
13	Elemento de detección
14	Chapa de presión

Observación

La información que se proporciona en esta hoja de instrucciones debe ser suficiente para la instalación y el ajuste de la V46. Para mayores informaciones Ud. puede solicitar la hoja de datos del producto V46.

Observación

Todas las válvulas de regulación de agua de la Serie V46 han sido concebidas exclusivamente para el uso como dispositivos de mando. En los casos en que un cierre del sistema, un flujo impropio o la pérdida de presión a causa de falla de la válvula puede resultar en lesiones a personas y/o pérdida de propiedades, el usuario debe añadir una válvula de escape de presión o una válvula de cierre de seguridad adicional, según el caso.

Atención

Todas las válvulas sólo deben usarse con agentes de refrigeración no corrosivos, con la excepción de las válvulas de amoníaco o elementos para aplicaciones con amoníaco.

Instalación

La válvula funciona automáticamente detectando directamente cambios de presión en un circuito de refrigeración.

- Enjuague las líneas de agua antes de instalar la válvula para asegurarse de que se han eliminado todos los materiales extraños.
- La dirección del flujo del agua está indicada mediante una flecha en el cuerpo de la válvula.
- Monte la válvula verticalmente. La conexión de presión puede montarse en cualquier punto de acceso apropiado en el lado alto del sistema de refrigeración. El tiempo de reacción puede verse afectado por aceite en el tubo capilar. En situaciones críticas es preferible montar el control sobre el nivel normal del aceite de refrigeración.
- Antes de montar la conexión de presión, limpie todos los tubos y líneas.
- Evite codos bruscos o discontinuidades en los tubos capilares.
- No permita que los tubos capilares rocen contra superficies duras o ásperas para evitar daños a los tubos.
- Enrolle y sujete la longitud en exceso del tubo capilar para evitar vibraciones. Deje el tubo capilar un poco flojo para evitar vibración tipo "cuerda de violín" que puede provocar rotura del tubo.
- Para evitar la pérdida de agua, recomendamos la verificación de los tornillos de la caja de resorte y de la unidad de alimentación para asegurarse de que estén bien ajustados. Use las fuerzas de torsión indicadas en la tabla abajo.

Tamaño de válvula	Fuerza de torsión (Nm)
³ / ₈ "	1.2 - 1.8
¹ / ₂ "	2.3 - 2.9
³ / ₄ "	3.5 - 4.1
1" - 1 ¹ / ₄ " - 1 ¹ / ₂ "	4.6 - 5.2
2" - 2 ¹ / ₂ "	6.9 - 7.5

Lavado manual

Para lavarse manualmente las válvulas debe levantarse la guía del resorte inferior con destornilladores en los dos lados de la chapa de presión para abrir la válvula. Esto no afecta los ajustes de la válvula.

Ajustes

Para elevar el punto de abertura de la válvula, gire el tornillo de ajuste hacia la izquierda; para bajar el punto de abertura de la válvula, gire el tornillo de ajuste hacia la derecha. Las válvulas de regulación por presión se cierran a aproximadamente 0,5 bar abajo del punto de abertura. Puede hacerse una regulación exacta con un calibrador de presión.

Observación

Al funcionar el compresor a altas temperaturas ambientes, la presión del agente refrigerante puede a veces permanecer alta lo suficiente para que la válvula se abra parcialmente cuando el compresor se encuentra ocioso. En estos casos debe aumentarse el punto de abertura de la válvula justo lo suficiente para que la válvula se cierre durante los períodos de espera del compresor.

Verificación del sistema

Antes de concluir la instalación, debe dejarse funcionar el sistema por lo menos durante un período mínimo de un ciclo completo de funcionamiento, para asegurarse de que la válvula esté funcionando correctamente.

Reparación y sustitución

El asiento de válvula (10) y el disco de válvula (9) pueden, después de largos períodos de funcionamiento, volverse desgastados, picados o "estirados". Se encuentran disponibles juegos de diafragmas, unidades de alimentación de reposición y juegos para renovación para revisión completa de la válvula. Sírvase contactar con su proveedor más cercano o use la tabla de selección de la hoja de datos del producto V46. En cada juego para renovación se incluye una descripción completa para el montaje/desmontaje de la válvula.

ITALIANO

LEGGERE ATTENTAMENTE IL FOGLIO ISTRUZIONI PRIMA DI INSTALLARE L'APPARECCHIO. TENERE IL FOGLIO INSIEME AL DISPOSITIVO DI CONTROLLO.

Fig. 1

1	Vite di regolazione
2	Scodellino
3	Molla
4	Vite custodia
5	Viti laterali (solo nelle valvole da 1" o più grandi)
6	Perno di guida
7	Prigioniero disco
8	Coppa disco
9	Disco valvola
10	Sede valvola
11	Stelo valvola
12	Diaframma di gomma
13	Sensore
14	Piastrina pressione

Nota

Le informazioni riportate in questo foglio sono sufficienti a installare e regolare della V46. Per maggiori informazioni richiedere il foglio con i dati relativi alla V46.

Nota

Le valvole di regolazione dell'acqua della serie V46 sono state ideate per essere usate solo come dispositivi di controllo operativo. Nel caso in cui la chiusura del sistema, un flusso irregolare o una perdita della pressione dovuti a un guasto alla valvola dovessero causare danni alle persone e/o alle cose, l'utente deve applicare un limitatore di pressione o una valvola di sicurezza separata come da istruzioni.

Avvertenza

Fatta eccezione delle speciali valvole per ammoniaca o dei dispositivi per applicazioni con ammoniaca, tutte le altre valvole possono essere usate solamente con refrigeranti non corrosivi.

Installazione

La valvola funziona automaticamente non appena nel circuito refrigerante si verificano cambiamenti di pressione.

- Prima di installare la valvola spurgare tutti i tubi dell'acqua in modo da essere sicuri di aver rimosso eventuali corpi estranei.
- La direzione dell'acqua è quella della freccia impressa sul corpo della valvola.
- Montare la valvola in senso verticale. I collegamenti della pressione possono essere effettuati in qualsiasi punto di accesso che si trovi nella parte più alta del sistema di refrigerazione. Il tempo di reazione può variare a seconda della presenza o meno di olio nei tubi capillari. Se si verificano dei problemi, montare il dispositivo al di sopra del normale livello dell'olio refrigerante.
- Spurgare tutti i tubi prima di effettuare il collegamento della pressione.
- Evitare di curvare o di piegare troppo i tubi capillari.
- Fare in modo che i tubi capillari non sfreghino contro superfici ruvide o rigide (l'attrito può danneggiare i tubi stessi).
- Avvolgere e fissare i tubi capillari in eccesso onde evitare vibrazioni. Allentare i tubi capillari onde evitare vibrazioni tipo "corda di violino", che potrebbero rompere i tubi stessi.
- Per evitare che fuoriesca dell'acqua, controllare se sono state avvitate bene le viti della custodia della molla e dell'elemento di alimentazione (vedi momenti torcenti nella tabella qui sotto riportata).

Dimensioni valvolaMomento torcente (Nm)	
³ / ₈ "	1.2 - 1.8
¹ / ₂ "	2.3 - 2.9
³ / ₄ "	3.5 - 4.1
1" - 1 ¹ / ₄ " - 1 ¹ / ₂ "	4.6 - 5.2
2" - 2 ¹ / ₂ "	6.9 - 7.5

Spurgo manuale

Le valvole possono essere spurgate manualmente alzando con il cacciavite la guida della molla inferiore su entrambi i lati della piastrina della pressione in modo da aprire la valvola. Questa operazione non modifica le regolazioni date alla valvola.

Regolazioni

Per alzare il punto di apertura della valvola, girare in senso antiorario la vite di regolazione; per abbassarlo, girare la vite in senso orario. Le valvole comandate dall'aumento di pressione si chiudono a circa 0,5 bar sotto il punto di apertura. Regolazioni più accurate vanno effettuate con il manometro.

Nota

Se il compressore funziona a temperature ambienti elevate, la pressione del refrigerante può a volte rimanere alta abbastanza da far aprire in parte la valvola quando il compressore gira al minimo. In tali casi il punto di apertura della valvola va alzato in modo tale che la valvola rimanga chiusa quando il compressore è in stand-by.

Controllo del sistema

Prima di lasciare l'impianto, far fare al sistema almeno un ciclo operativo intero al fine di accertarsi se la valvola funziona bene.

Riparazioni e sostituzioni

La sede (10) e il disco (9) della valvola, dopo lunghi cicli operativi, possono usurarsi, vaiolarsi o trafilarsi in fili. Per la revisione completa della valvola sono disponibili diaframmi, elementi di alimentazione e pezzi di ricambio. A tal fine rivolgersi al rivenditore più vicino o consultare la tabella riportata sul foglio con i dati relativi al prodotto. In ogni kit con i pezzi di ricambio ci sono le istruzioni su come montare/smontare la valvola.

SVENSKA

LÄS DETTA INSTRUKTIONSBLAD NOGRANT INNAN DU BÖRJAR MED INSTALLERINGEN. FÖRVARA BLADET VID STYRENHETEN.

Fig. 1

1	Justerskruv
2	Fjädringslock
3	Fjäders räckvidd
4	Höljets skruv
5	Sidoskruvar (bara för 1" eller större ventiler)
6	Sätesledningsstift
7	Membranbult
8	Membransmanschett
9	Ventilmembran
10	Ventilsäte
11	Ventilstam
12	Gummidiafragma
13	Avkänningselement
14	Tryckbricka

OBS!

Uppgifterna i detta instruktionsblad bör vara tillräckliga för installation och inställning av V46. För kompletterande uppgifter hänvisar vi till produktinformationsbladet för V46.

OBS!

Alla V46-seriens vattenregleringsventiler är konstruerade för användning bara som driftsenheter. När systemavbrott, oriktig genomströmning eller tryckförlust beroende på ventifel kan leda till personskada och/eller materialförlust måste separat utsläpp eller säkerhetsstängning av den ventil som används tillfogas extra av användaren.

Varning

Alla ventiler kan bara användas med icke rostande köldmedel förutom särskilda ammoniakventiler eller element för ammoniakstillämpningar.

Installation

Ventilen fungerar automatiskt genom direkt avkännande av tryckförändringar i en kylningskrets.

- Spola genom vattenledningarna innan ventilen installeras så att man kan vara säker på att alla främmande föremål har avlägsnats.
- Vattenflödets riktning har angetts genom en pil på ventildelen.
- Montera ventilen vertikalt. Tryckanslutningen kan monteras på vilken lättåtkomlig åtkomtpunkt som helst på den höga sidan av kylningssystemet. Reaktionstiden kan påverkas genom olja i kapillaren. Vid viktiga situationer föredras att styrenheten monteras ovanför den normala kylningsoljans nivå.
- Lufta alla rör och ledningar innan tryckanslutningen monteras.
- Undvik skarpa vinklar och öglor i härrörsledningarna.
- Se till att inte härrörsledningarna ligger mot någon metallyta som genom friktion kan skada dem.
- Linda upp och säkra överskottslängder på härrörsledningar för att undvika vibrationer men låt det finnas lite glapp för att förebygga "fiolsträng"-vibrationer som kan leda till brott på rören.
- För att förebygga vattenläckage råder vi att man kontrollerar så att skruvarna till fjäderhölje och krafelement sitter fast. Använd det åtdragningsmoment som angetts i tabellen nedan.

Ventilstorlek	Åtdragningsmoment (Nm)
³ / ₈ "	1.2 - 1.8
¹ / ₂ "	2.3 - 2.9
³ / ₄ "	3.5 - 4.1
1" - 1 ¹ / ₄ " - 1 ¹ / ₂ "	4.6 - 5.2
2" - 2 ¹ / ₂ "	6.9 - 7.5

Manuell spolning

Ventilerna kan spolans manuellt genom att man med en skruvmejsel lyfter på den lägre fjädringsledningen på båda sidorna av tryckbrickan för att öppna ventilen. Detta har inget inflytande på ventilställningen.

Inställning

För att höja ventilställningsnivån vrider man på justerskruven moturs, för att sänka ventilställningsnivån vrider man på justerskruven medurs. Tryckpåverkade ventiler stänger ungefärligen 0,5 bar under öppningsnivån. Exakt inställning kan göras med användning av en tryckmätare.

OBS!

Om kompressorn verkar vid hög omgivningstemperatur kan köldmedelstrycket ibland förbli tillräckligt högt för att leda till att ventilen delvis öppnas när kompressorn inte är i gång. Vid sådana förhållanden bör ventilens öppningsnivå höjas precis så mycket att det leder till att ventilen stängs när kompressorn står i beredskap (stand by).

Systemkontroll

Innan man avslutar installationen bör man köra igenom systemet åtminstone en gång med en komplett driftcykel så att man är säker på att ventilen fungerar riktigt.

Reparation och byte

Ventilsäte (10) och ventilmembran (9) kan efter en längre driftperiod bli slitna, anfrätta eller "träddragna". Diafragma-enheter, utbyteskrafelement och förmylseenheter finns för komplett ventiltrevision. V.g. kontakta närmsta leverantör eller använd uralstabellen i uppgiftsbladet för V46-produkten. Med varje förmylseenhet levereras en komplett beskrivning på demontering/montering av ventilen.

SUOMI

LUE TÄMÄ KÄYTTÖOHJE HUOLELLISESTI ENNEN ASENNUSTA. SÄILYTÄ TÄMÄ KÄYTTÖOHJE SÄÄTIMEN MUKANA.

Kuva 1

1	Alueen säätöruuvi
2	Joustohattu
3	Jousen liike
4	Rungon ruuvi
5	Sivuruuvit (ainoastaan 1" tai suuremmat venttiilit)
6	Ohjaimen istukka
7	Lautasnasta
8	Lautaskuppi
9	Venttiililautanen
10	Venttiilin istukka
11	Venttiilinohjain
12	Kumikalvo
13	Tuntoelementti
14	Painelevy

Huomaa

Tämän ohjelehisen avulla voit asentaa ja säätää V46:n. Lisätietoja saat V46-tuotteen teknisestä esitteestä.

Huomaa

Kaikki sarjan V46 vedensäätelyventtiilit on suunniteltu käytettäväksi ainoastaan käyttösäätiminä. Jos järjestelmän sulkeminen, viallinen virtaus tai vioittuneesta venttiilistä johtuva painehäviö aiheuttaa henkilövahinkoja ja/tai omaisuusvaurioita, käyttäjän on lisättävä laitteeseen sopiva erillinen paineenalennin tai sulkuventtiili.

Varoitus

Venttiileitä saa käyttää vain syövyttämättömillä jäähdykkeillä lukuunottamatta erityisiä ammoniakki-venttiileitä tai ammoniakin käyttöön tarkoitettuja elementtejä.

Asennus

Venttiili tuntee välittömästi jäähdykepiirissä tapahtuvat paineenmuutokset ja toimii automaattisesti.

- Huuhtele vesiletkut ennen venttiin asennusta, jotta kaikki vieras aine poistuu niistä.
- Veden virtaussuunta on merkitty venttiin rungossa olevalla nuolella.
- Kiinnitä venttiili pystysuoraan. Paineensäätimen voi kiinnittää mihin tahansa kohtaan jäähdytysjärjestelmän yläosassa. Kapillaariputkistossa oleva öljy saattaa vaikuttaa reaktioaikaan. Kriittisissä tapauksissa on parasta kiinnittää säädin normaalin jäähdykeöljypinnan yläpuolelle.
- Puhdista kaikki putket ja linjat ennen kuin kiinnität paineynsän.
- Älä asenna kapillaariputkistoa siten, että siihen syntyy jyrkkiä kulumia.
- Älä asenna kapillaariputkistoa siten, että se hankautuu kovia tai karkeita pintoja vasten, jotka voivat vahingoittaa putkistoa.
- Kierrä ylimääräinen kapillaariputki rullalle ja suojaa se värinöiden välttämiseksi. Jätä putki hieman löysälle, jotta siinä ei synny "viulunkieli"-värinää, joka voi katkaista putken.
- Jotta estetään veden vuotaminen, on suositeltavaa tarkastaa jousirungon ja voimaelementin ruuvien tiukkuus. Käytä allaolevan taulukon mukaisia vääntömomenttejä.

Venttiilin koko	Vääntömomentit (Nm)
³ / ₈ "	1.2 - 1.8
¹ / ₂ "	2.3 - 2.9
³ / ₄ "	3.5 - 4.1
1" - 1 ¹ / ₄ " - 1 ¹ / ₂ "	4.6 - 5.2
2" - 2 ¹ / ₂ "	6.9 - 7.5

Manuaalihuuhtelu

Venttiilit voi huuhdella manuaalisesti nostaan alempaa jousenohjainta ruuvimeisselleillä kaksin puolin avoimen venttiin painelevyä. Tämä ei vaikuta venttiin säätöihin.

Säädöt

Venttiin aukeamispiستettä voi nostaa kääntämällä säätöruuvia vastapäivään ja alentaa kääntämällä säätöruuvia myötäpäivään. Paineikäyttöiset venttiilit sulkeutuvat n. 0,5 baaria aukeamispisteen alapuolella. Tarkat säädöt voi tehdä painemittarilla.

Huomaa

Jos ympäröivä lämpötila on korkea kompressorin käytön aikana, jäähdytyspaine saattaa toisinaan pysyä niin suurena, että venttiili aukeaa osittain, kun kompressori ei ole käytössä. Tällaisissa tapauksissa venttiin aukeamispiستettä tulee nostaa juuri sen verran, että venttiili sulkeutuu kompressorin seisonnan ajaksi.

Järjestelmän tarkastus

Ennen kuin poistut laitteen luota, käytä sitä vähintään yhden täyden kieroksen verran varmistaaksesi, että venttiili toimii moitteettomasti.

Korjaus ja vaihto

Venttiilin istukka (10) ja venttiililautanen (9) saattavat kulua tai syöpyä pitkäaikaisen käytön jälkeen. Kalvosarjoja, vaihdettavia voimaelementtejä ja varaosasarjoja koko venttiin tarkastusta varten on saatavilla. Ota yhteyttä lähimpään kauppiaseen tai käytä V46-tuotteen tietolomakkeen valintataulukkoa. Täydellinen venttiin purkamis- ja kokoamisohje tulee jokaisen varaosasarjan mukana.